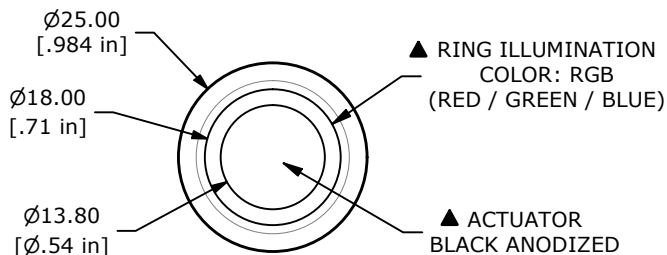
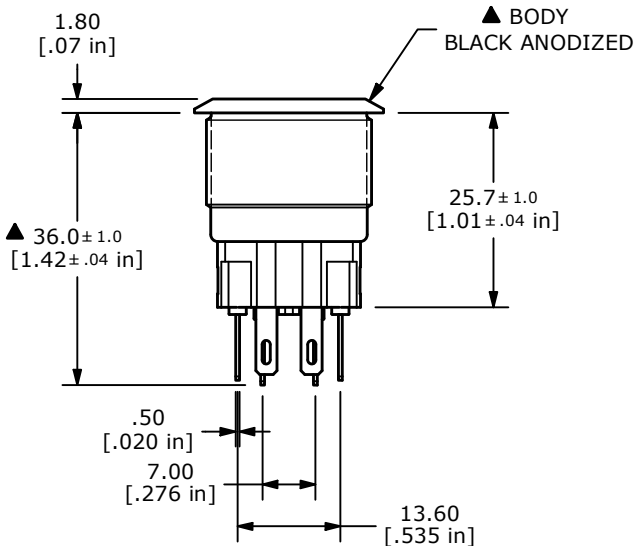
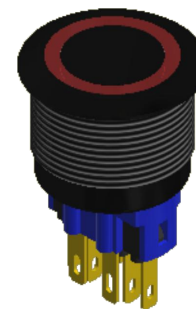


Recommended PANEL CUTOUT
MAX. PANEL THICKNESS 8mm

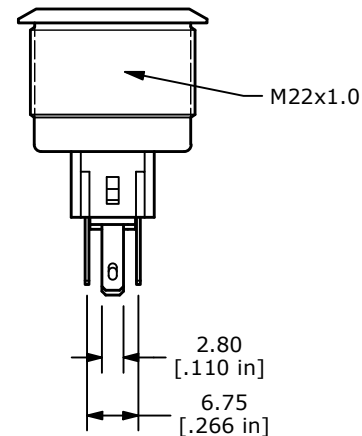


▲ RING ILLUMINATION
COLOR: RGB
(RED / GREEN / BLUE)

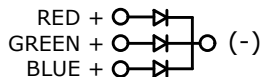
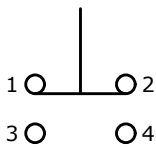
▲ ACTUATOR
BLACK ANODIZED



▲ BODY
BLACK ANODIZED



| SWITCH FUNCTION | |
|-------------------|-----------------------|
| POS. 1 | POS. 2 |
| | |
| 1-2 ON 3-4 OFF | 1-2 (OFF) 3-4 (ON) |

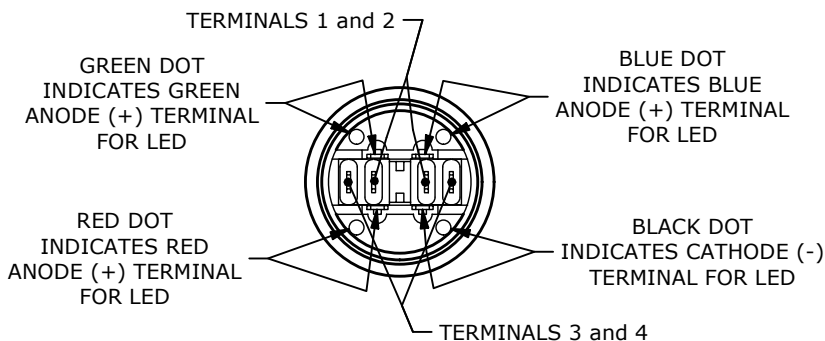


▲ SPDT ON-(OFF) / OFF-(ON)
CONTACT CONFIGURATION
() = MOMENTARY FUNCTION

() = MOMENTARY

NOTE:

1. ALL DIMENSIONS IN MM [INCH]
2. GENERAL TOLERANCE: X.X = ± 0.4
X.XX = ± 0.25
3. TERMINAL NOS. FOR REF. ONLY
4. RATING: 2A @ 48VDC
5. CONTACT RESISTANCE: 50mΩ MAX. @ 1A 12VDC
6. INSULATION RESISTANCE: 1,000MΩ @ 500VDC
7. DIELECTRIC STRENGTH: 2,000VAC MIN. FOR 1 MINUTE
8. ELECTRICAL LIFE: 50,000 CYCLES
9. OPERATING TEMPERATURE: -35°C to 85°C
10. ACTUATION FORCE: 4N
11. INGRESS PROTECTION: IP65
12. ▲ DENOTES CRITICAL PARAMETER
- ▲ 13. HARDWARE INCLUDED (NOT SHOWN) HEX NUT AND O-RING
- ▲ 14. ILLUMINATION VOLTAGE: RED: 1.8V
GREEN: 2.8V
Blue: 2.8V



| REV | ECO NO | DESCRIPTION | DATE | BY |
|-----|------------|--------------|----------|----|
| B | ECO-103840 | Print update | 01/07/26 | MW |



OBJECT ID
000002983

| | | | | |
|---------------------|----------------|-------|---------------------|-------|
| TITLE PV7F2Y011-3R1 | | | | |
| SCALE 1:1 | DATE 4/23/2020 | DR MW | DWG 52-PV7F2Y0113R1 | REV B |