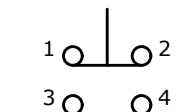


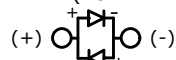
RECOMMENDED PANEL CUTOUT  
MAX. PANEL THICKNESS 12mm

SWITCH FUNCTION	
POS. 1	POS. 2
1-2	(3-4)

( ) = MOMENTARY



WHITE (FORWARD)

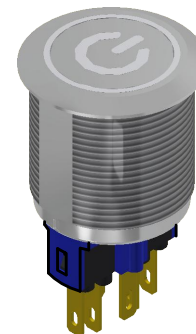
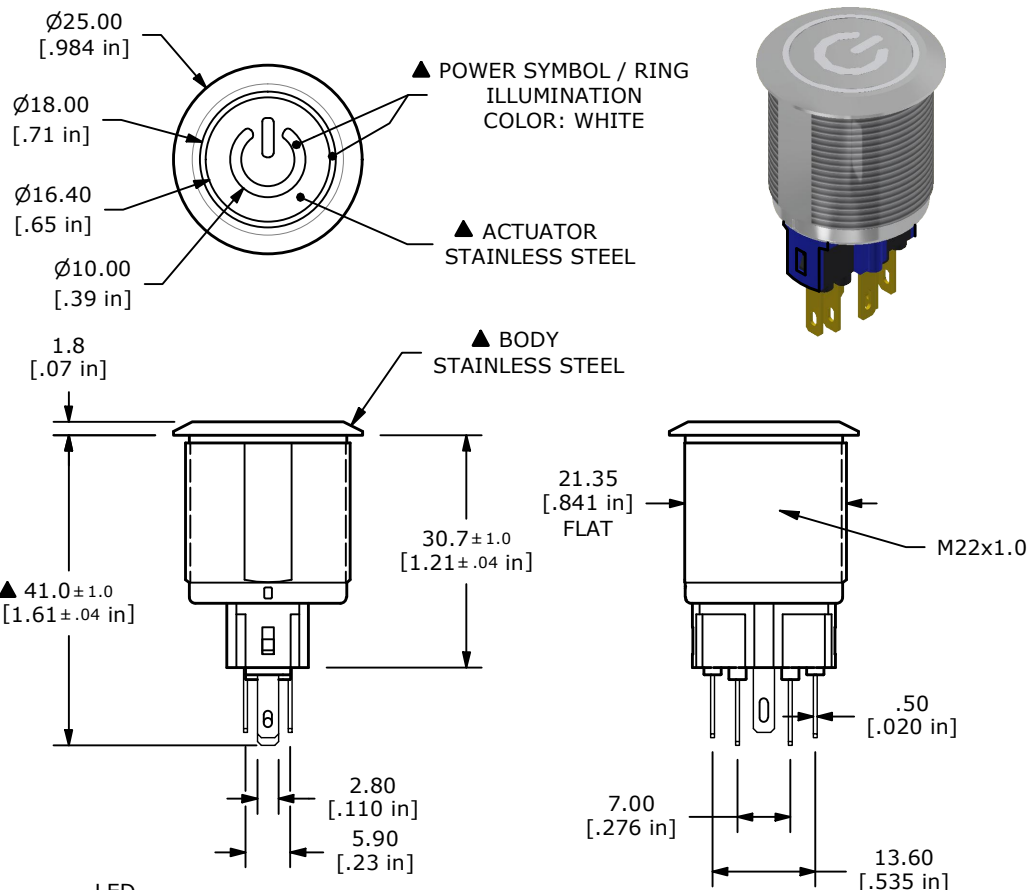


WHITE (REVERSE)

▲ SPDT ON (OFF) / OFF (ON)  
CONTACT CONFIGURATION

NOTE:

1. ALL DIMENSIONS IN MM [INCH]
2. GENERAL TOLERANCE: X.X = ± 0.4  
X.XX = ± 0.25
3. TERMINAL NUMBERS FOR REF. ONLY
4. RATING: 2A @ 48VDC
- ▲ 5. ILLUMINATION VOLTAGE: 6V
6. CONTACT RESISTANCE: 50mΩ MAX. @ 1A 12VDC
7. INSULATION RESISTANCE: 1,000MΩ @ 500VDC
8. DIELECTRIC STRENGTH: 2,000VAC MIN. FOR 1 MINUTE
9. ELECTRICAL LIFE: 50,000 CYCLES
10. OPERATING TEMPERATURE: -35°C to 85°C
11. INGRESS PROTECTION: IP65
- ▲ 12. SUPPLIED HARDWARE: O-RING AND HEXNUT
13. ▲ DENOTES CRITICAL PARAMETER



REV	ECO NO	DESCRIPTION	DATE	BY
C	ECO-103841	Print update	01/08/26	MW



OBJECT ID  
000002994

TITLE PV7F2Y0SS-303-M03				
SCALE 1:1	DATE 4/6/2017	DR MW	DWG 52-PV7F2Y0SS303M03	REV C