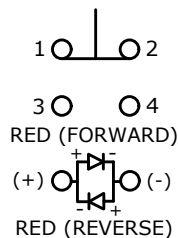
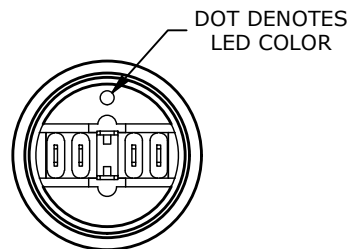
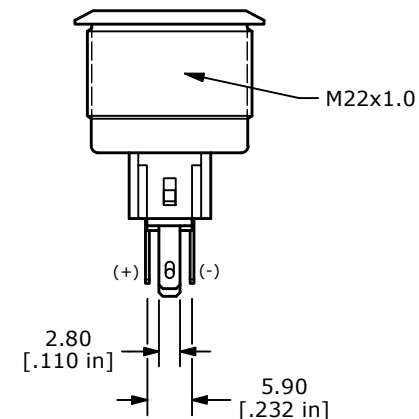
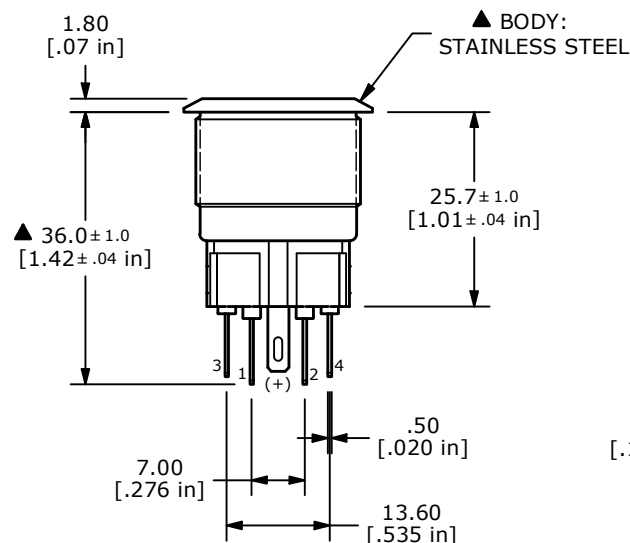


SWITCH FUNCTION	
POS. 1	POS. 2
1-2 ON 3-4 OFF	1-2 (OFF) 3-4 (ON)

() = MOMENTARY



▲ SPDT ON-(OFF) / OFF-(ON)
CONTACT CONFIGURATION



- NOTE:
- ALL DIMENSIONS IN MM [INCH]
 - GENERAL TOLERANCE: X.X = ± 0.4
X.XX = ± 0.25
 - TERMINAL NOS. FOR REF. ONLY
 - RATING: 2A @ 48VDC
 - CONTACT RESISTANCE: 50mΩ MAX. @ 1A 12VDC
 - INSULATION RESISTANCE: 1,000MΩ @ 500VDC
 - DIELECTRIC STRENGTH: 2,000VAC MIN. FOR 1 MINUTE
 - ELECTRICAL LIFE: 50,000 CYCLES
 - OPERATING TEMPERATURE: -35°C to 85°C
 - INGRESS PROTECTION: IP65
 - ▲ DENOTES CRITICAL PARAMETER
 - ILLUMINATION VOLTAGE: 6V
 - HARDWARE INCLUDED (NOT SHOWN) HEX NUT AND O-RING

REV	ECO NO	DESCRIPTION	DATE	BY	E-SWITCH®			OBJECT ID	
C	ECO-103841	Print release	01/08/26	MW	TITLE PV7F2Y0SS-313			000002999	
THE INFORMATION CONTAINED IN THIS DOCUMENT IS PROPRIETARY TO E-SWITCH AND IS NOT TO BE COPIED OR TRANSFERRED					SCALE	DATE	DR	DWG	REV
					1:1	7/24/2015	MW	52-PV7F2Y0SS313	C