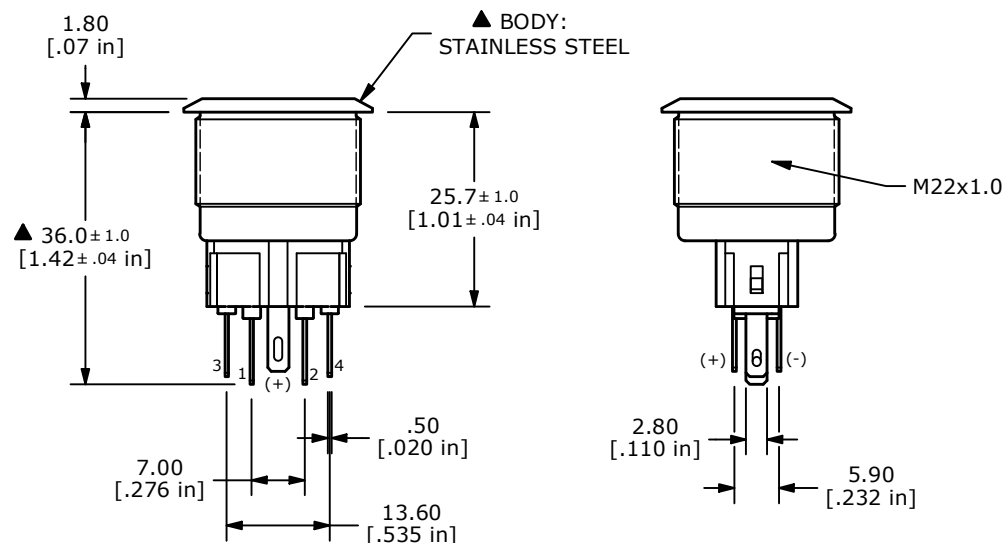
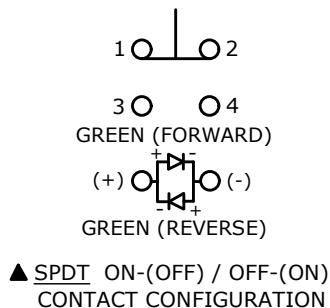
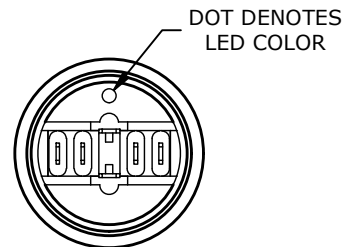


SWITCH FUNCTION	
POS. 1	POS. 2
1-2 ON 3-4 OFF	1-2 (OFF) 3-4 (ON)

() = MOMENTARY



- NOTE:
- ALL DIMENSIONS IN MM [INCH]
 - GENERAL TOLERANCE: X.X = ± 0.4
X.XX = ± 0.25
 - TERMINAL NOS. FOR REF. ONLY
 - RATING: 2A @ 48VDC
 - CONTACT RESISTANCE: 50mΩ MAX. @ 1A 12VDC
 - INSULATION RESISTANCE: 1,000MΩ @ 500VDC
 - DIELECTRIC STRENGTH: 2,000VAC MIN. FOR 1 MINUTE
 - ELECTRICAL LIFE: 50,000 CYCLES
 - OPERATING TEMPERATURE: -35°C to 85°C
 - INGRESS PROTECTION: IP65
 - ▲ DENOTES CRITICAL PARAMETER
 - ILLUMINATION VOLTAGE: 12V
 - HARDWARE INCLUDED (NOT SHOWN) HEX NUT AND O-RING



REV	ECO NO	DESCRIPTION	DATE	BY
B	ECO-103872	Print update	01/08/26	MW



OBJECT ID
000003009

TITLE PV7F2Y0SS-334				
SCALE 1:1	DATE 6/24/2013	DR EBP	DWG 52-PV7F2Y0SS334	REV B