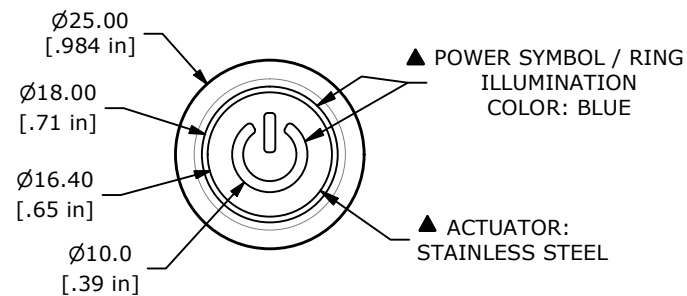


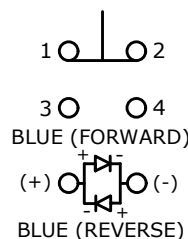
RECOMMENDED PANEL CUTOUT
MAX. PANEL THICKNESS 12mm



▲ SWITCH FUNCTION

POS. 1	POS. 2
1-2 ON 3-4 OFF	1-2 (OFF) 3-4 (ON)

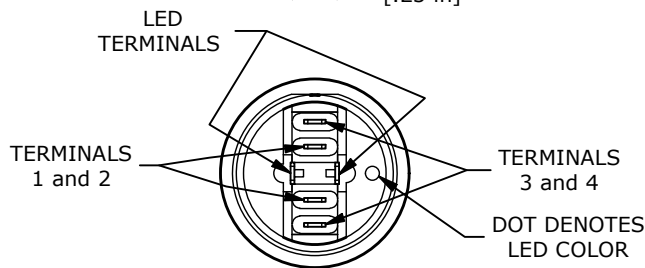
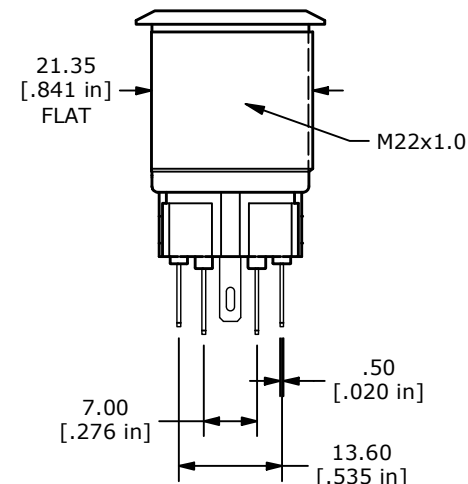
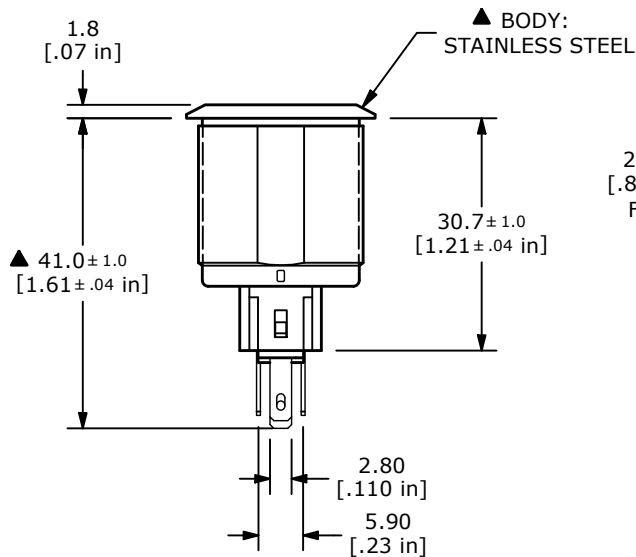
() = MOMENTARY



▲ SPDT OFF-(ON) / ON-(OFF)
CONTACT CONFIGURATION

NOTE:

- ALL DIMENSIONS IN MM [INCH]
- GENERAL TOLERANCE: X.X = ± 0.4
X.XX = ± 0.25
- TERMINAL NUMBERS FOR REF. ONLY
- RATING: 2A @ 48VDC
- CONTACT RESISTANCE: 50mΩ MAX. @ 1A 12VDC
- INSULATION RESISTANCE: 1,000MΩ @ 500VDC
- DIELECTRIC STRENGTH: 2,000VAC MIN. FOR 1 MINUTE
- ELECTRICAL LIFE: 50,000 CYCLES
- OPERATING TEMPERATURE: -35°C to 85°C
- INGRESS PROTECTION: IP65
- ▲ DENOTES CRITICAL PARAMETER
- HARDWARE INCLUDED: O-RING AND HEX NUT (Not Shown)
- ILLUMINATION VOLTAGE: 12V



REV	ECO NO	DESCRIPTION	DATE	BY
B	ECO-103873	Print update	01/16/26	MW



OBJECT ID
100121918

TITLE PV7F2Y0SS-344-M03				
SCALE 1:1	DATE 5/5/2022	DR MW	DWG 52-PV7F2Y0SS344M03	REV B