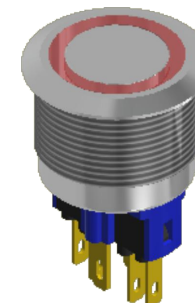
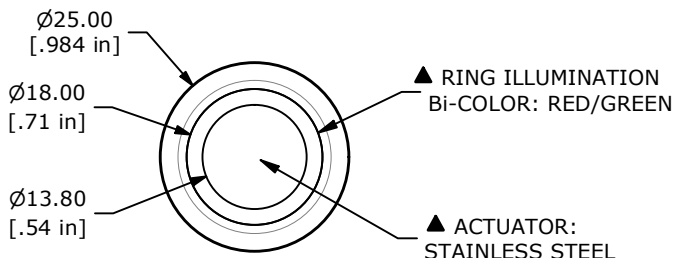


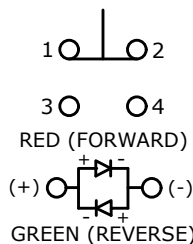
RECOMMENDED PANEL CUTOUT
MAX. PANEL THICKNESS 8mm



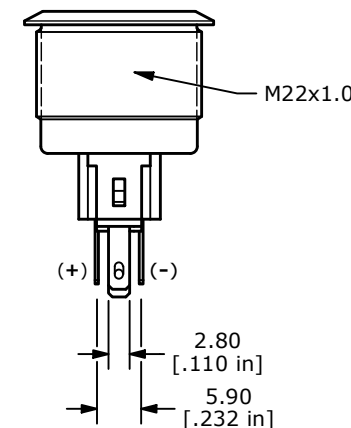
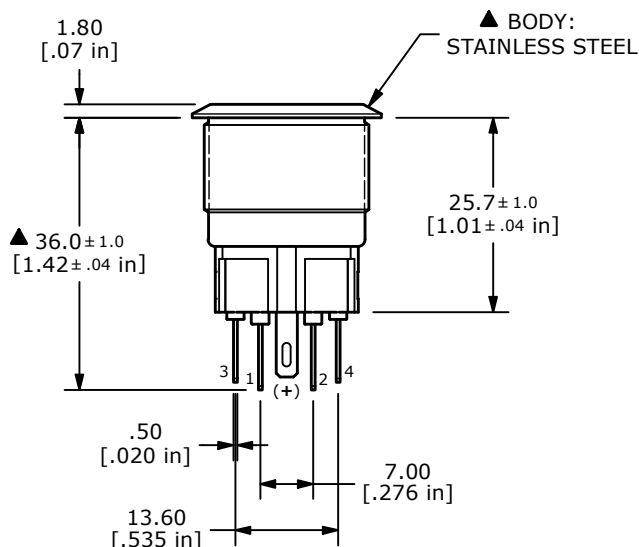
▲ SWITCH FUNCTION

POS. 1	POS. 2
1-2 ON	1-2 (OFF)
3-4 OFF	3-4 (ON)

() = MOMENTARY

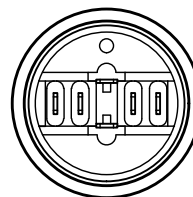


▲ SPDT ON-(OFF) / OFF-(ON)
CONTACT CONFIGURATION



NOTE:

- ALL DIMENSIONS IN MM [INCH]
- GENERAL TOLERANCE: X.X = ± 0.4
X.XX = ± 0.25
- TERMINAL NOS. FOR REF. ONLY
- RATING: 2A @ 48VDC
- CONTACT RESISTANCE: 50mΩ MAX. @ 1A 12VDC
- INSULATION RESISTANCE: 1,000MΩ @ 500VDC
- DIELECTRIC STRENGTH: 2,000VAC MIN. FOR 1 MINUTE
- ELECTRICAL LIFE: 50,000 CYCLES
- OPERATING TEMPERATURE: -35°C to 85°C
- INGRESS PROTECTION: IP65
- ▲ DENOTES CRITICAL PARAMETER
- ILLUMINATION VOLTAGE: 12V
- HARDWARE INCLUDED: HEX NUT and O-RING (NOT SHOWN)



REV	ECO NO	DESCRIPTION	DATE	BY	E-SWITCH®			OBJECT ID	
D	ECO-103873	Print update	01/16/26	MW	TITLE PV7F2Y0SS-3G4			000003029	
THE INFORMATION CONTAINED IN THIS DOCUMENT IS PROPRIETARY TO E-SWITCH AND IS NOT TO BE COPIED OR TRANSFERRED					SCALE	DATE	DR	DWG	REV
					1:1	3/9/2016	MW	52-PV7F2Y0SS3G4	D