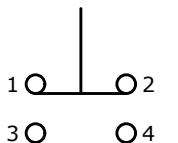


RECOMMENDED PANEL CUTOUT
MAX. PANEL THICKNESS 12mm

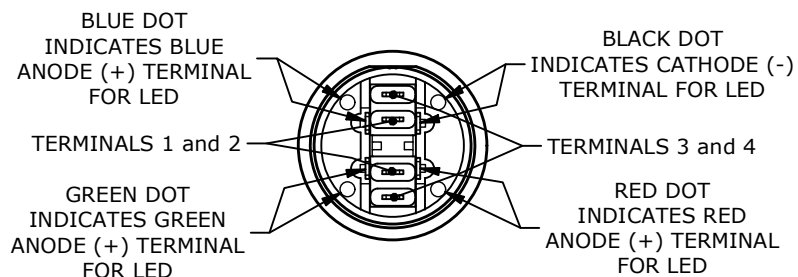
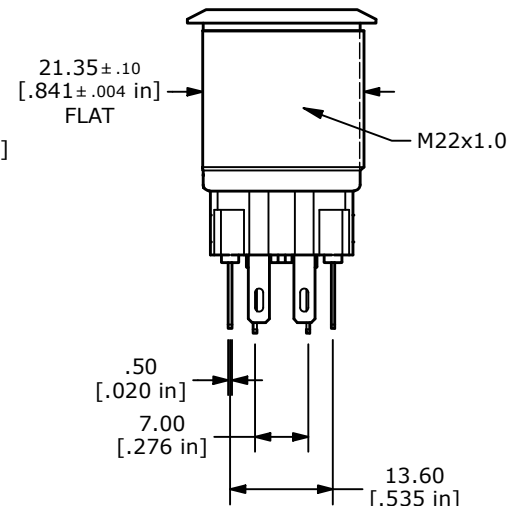
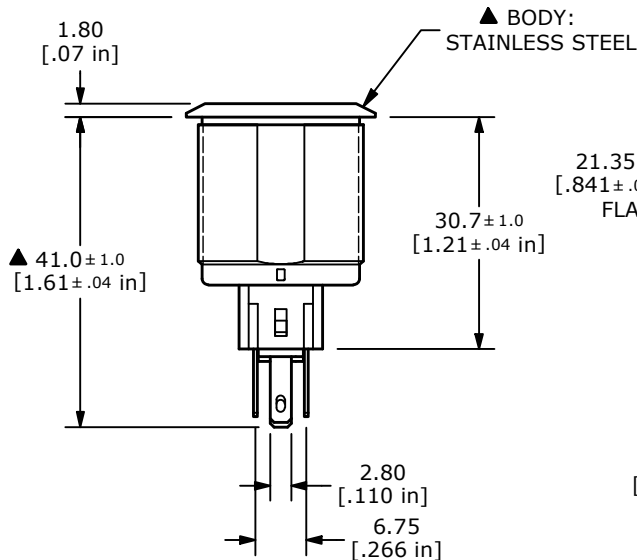
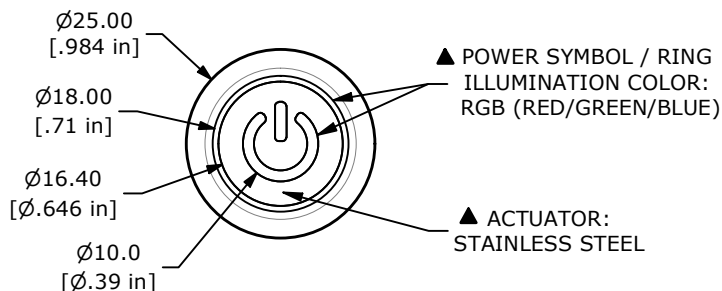
SWITCH FUNCTION	
POS. 1	POS. 2
1-2 ON 3-4 OFF	1-2 (OFF) 3-4 (ON)

() = MOMENTARY



▲ SPDT ON-(OFF) / OFF-(ON)
CONTACT CONFIGURATION
() DENOTES MOMENTARY FUNCTION

- NOTE:
- ALL DIMENSIONS IN MM [INCH]
 - GENERAL TOLERANCE: X.X = ± 0.4
X.XX = ± 0.25
 - TERMINAL NUMBERS FOR REF. ONLY
 - RATING: 2A @ 48VDC
 - CONTACT RESISTANCE: 50mΩ MAX. @ 1A 12VDC
 - INSULATION RESISTANCE: 1,000MΩ @ 500VDC
 - DIELECTRIC STRENGTH: 2,000VAC MIN. FOR 1 MINUTE
 - ELECTRICAL LIFE: 50,000 CYCLES
 - OPERATING TEMPERATURE: -35°C to 85°C
 - INGRESS PROTECTION: IP65
 - ▲ DENOTES CRITICAL PARAMETER
 - ▲ HARDWARE INCLUDED: HEX NUT and O-RING (Not Shown)
 - ▲ ILLUMINATION VOLTAGE:
RED 1.8V
GREEN 2.8V
BLUE 2.8V



REV	ECO NO	DESCRIPTION	DATE	BY
B	ECO-103874	Print update	01/16/26	MW



OBJECT ID
100123024

TITLE PV7F2Y0SS-3R1-M03				
SCALE	DATE	DR	DWG	REV
1:1	11/8/2022	JS	52-PV7F2Y0SS3R1M03	B