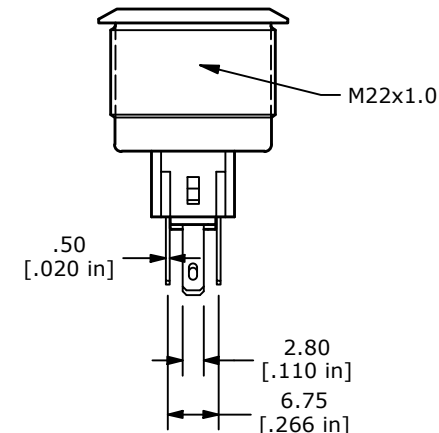
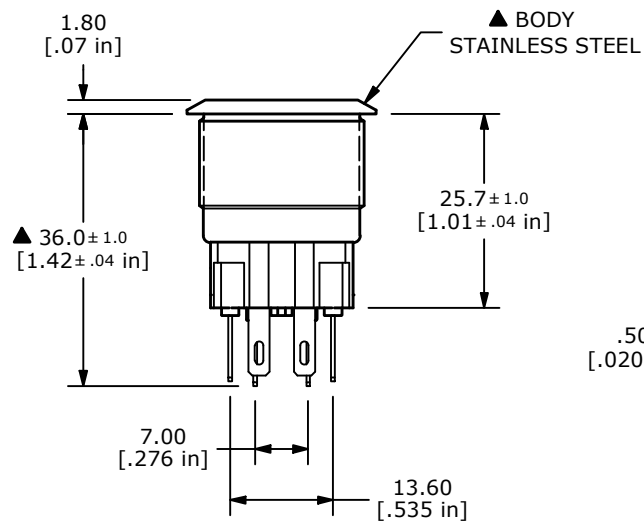
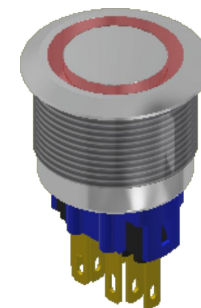
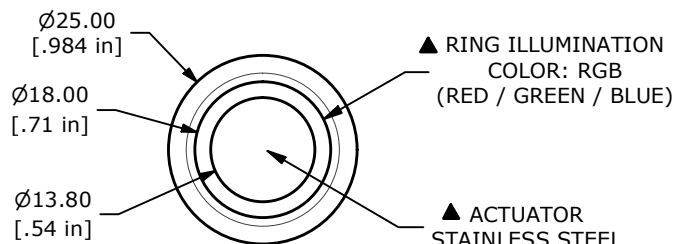
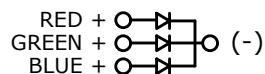
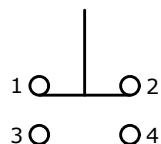


RECOMMENDED PANEL CUTOUT
MAX. PANEL THICKNESS 8mm



| SWITCH FUNCTION | |
|-------------------|-----------------------|
| POS. 1 | POS. 2 |
| | |
| 1-2 ON 3-4 OFF | 1-2 (OFF) 3-4 (ON) |

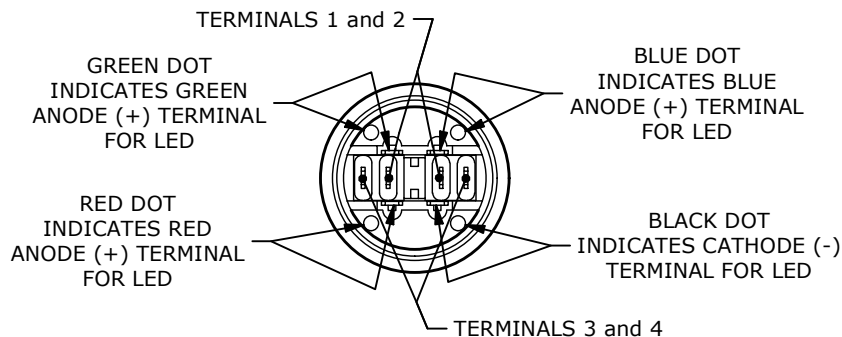
() MOMENTARY FUNCTION



▲ SPDT ON-(OFF) / OFF-(ON)
CONTACT CONFIGURATION
() DENOTES MOMENTARY FUNCTION

NOTE:

- ALL DIMENSIONS IN MM [INCH]
- GENERAL TOLERANCE: X.X = ± 0.4
X.XX = ± 0.25
- TERMINAL NUMBERS FOR REF. ONLY
- RATING: 2A @ 48VDC
- CONTACT RESISTANCE: 50mΩ MAX. @ 1A 12VDC
- INSULATION RESISTANCE: 1,000MΩ @ 500VDC
- DIELECTRIC STRENGTH: 2,000VAC MIN. FOR 1 MINUTE
- ELECTRICAL LIFE: 50,000 CYCLES
- OPERATING TEMPERATURE: -35°C to 85°C
- INGRESS PROTECTION: IP65
- ▲ DENOTES CRITICAL PARAMETER
- HARDWARE INCLUDED (NOT SHOWN) HEX NUT AND O-RING
- ILLUMINATION VOLTAGE: RED- 1.8V
GREEN - 2.8V
BLUE - 2.8V



| REV | ECO NO | DESCRIPTION | DATE | BY |
|-----|------------|--------------|----------|----|
| B | ECO-103874 | Print update | 01/16/26 | MW |



OBJECT ID
000003036

| | | | | |
|---------------------|-----------------|-------|---------------------|-------|
| TITLE PV7F2Y0SS-3R1 | | | | |
| SCALE 1:1 | DATE 10/17/2017 | DR rc | DWG 52-PV7F2Y0SS3R1 | REV B |