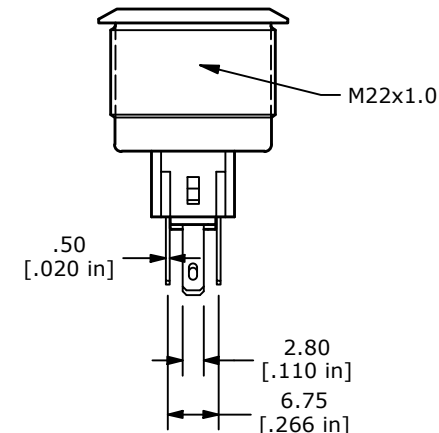
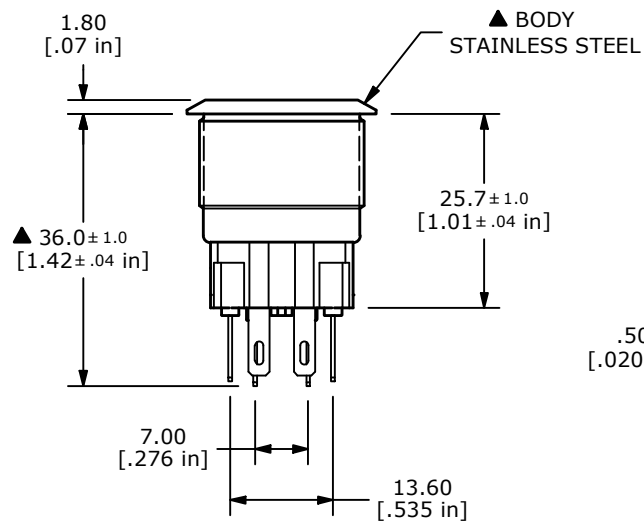
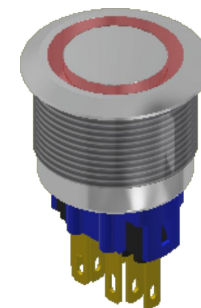
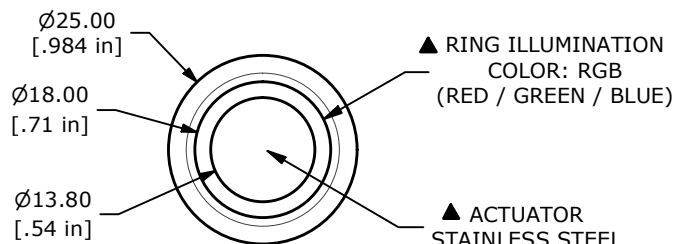
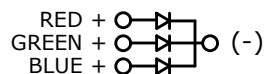
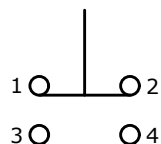


RECOMMENDED PANEL CUTOUT
MAX. PANEL THICKNESS 8mm



SWITCH FUNCTION	
POS. 1	POS. 2
1-2 ON 3-4 OFF	1-2 (OFF) 3-4 (ON)

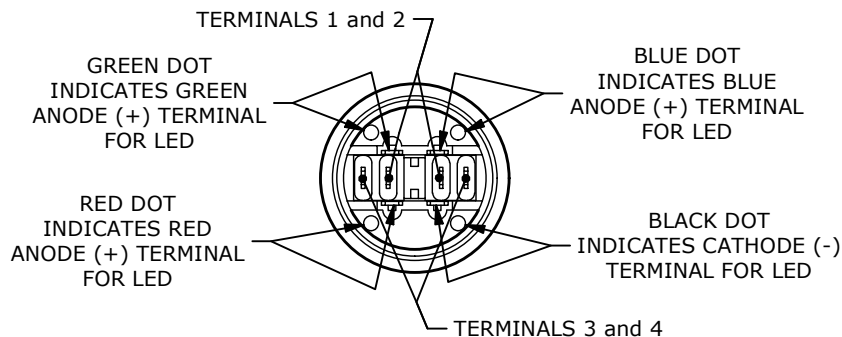


▲ SPDT ON-(OFF) / OFF-(ON)
CONTACT CONFIGURATION
() DENOTES MOMENTARY FUNCTION

() MOMENTARY FUNCTION

NOTE:

- ALL DIMENSIONS IN MM [INCH]
- GENERAL TOLERANCE: X.X = ± 0.4
X.XX = ± 0.25
- TERMINAL NUMBERS FOR REF. ONLY
- RATING: 2A @ 48VDC
- CONTACT RESISTANCE: 50mΩ MAX. @ 1A 12VDC
- INSULATION RESISTANCE: 1,000MΩ @ 500VDC
- DIELECTRIC STRENGTH: 2,000VAC MIN. FOR 1 MINUTE
- ELECTRICAL LIFE: 50,000 CYCLES
- OPERATING TEMPERATURE: -35°C to 85°C
- INGRESS PROTECTION: IP65
- ▲ DENOTES CRITICAL PARAMETER
- HARDWARE INCLUDED (NOT SHOWN) HEX NUT AND O-RING
- ILLUMINATION VOLTAGE: 12V



REV	ECO NO	DESCRIPTION	DATE	BY	E-SWITCH®			OBJECT ID	
C	ECO-103874	Print update	01/16/26	MW				000003039	
					TITLE PV7F2Y0SS-3R4				
					SCALE 1:1	DATE 7/25/2016	DR rc	DWG 52-PV7F2Y0SS3R4	REV C