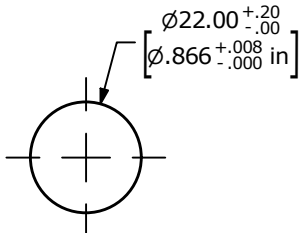
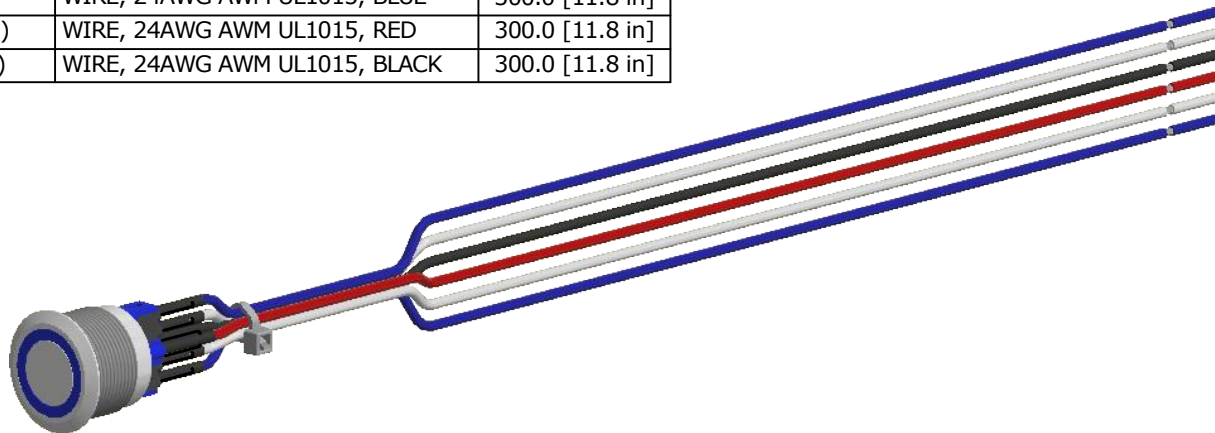


| SWITCH   | WIRE                          | LENGTH          |
|----------|-------------------------------|-----------------|
| SW1-1    | WIRE, 24AWG AWM UL1015, WHITE | 300.0 [11.8 in] |
| SW1-2    | WIRE, 24AWG AWM UL1015, WHITE | 300.0 [11.8 in] |
| SW1-3    | WIRE, 24AWG AWM UL1015, BLUE  | 300.0 [11.8 in] |
| SW1-4    | WIRE, 24AWG AWM UL1015, BLUE  | 300.0 [11.8 in] |
| SW1- (+) | WIRE, 24AWG AWM UL1015, RED   | 300.0 [11.8 in] |
| SW1- (-) | WIRE, 24AWG AWM UL1015, BLACK | 300.0 [11.8 in] |

**SCHEMATIC**  
 OFF - (ON) / ON - (OFF) - SPDT ILLUMINATED  
 ( ) DENOTES MOMENTARY FUNCTION

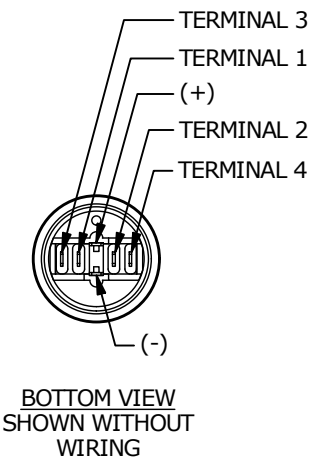
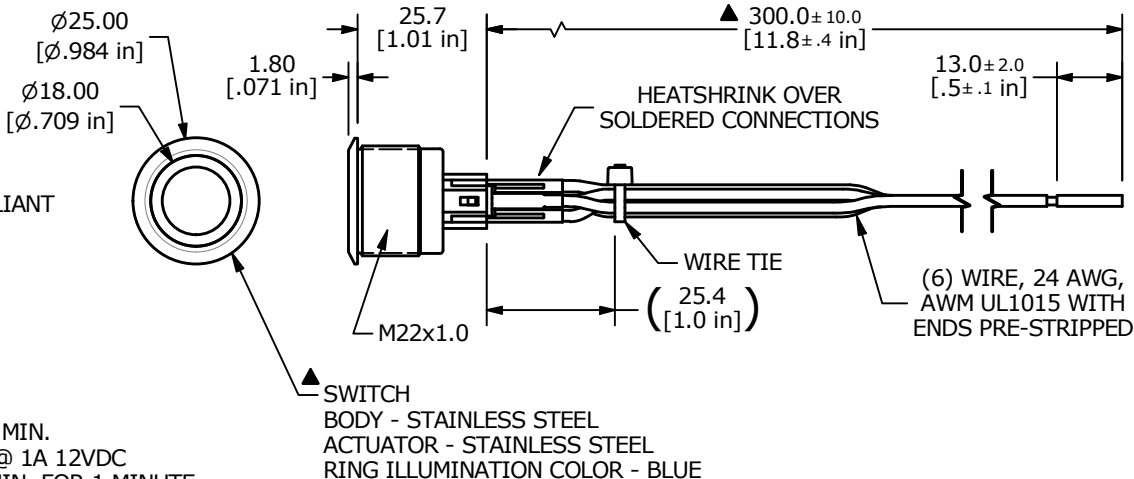


**RECOMMENDED PANEL CUTOUT**  
 MAX. PANEL THICKNESS 8.0 [.31 in]



**NOTES:**

1. DIMENSIONS IN MM [INCH]
2. ALL MATERIAL SHALL BE ROHS COMPLIANT
3. TERMINAL NUMBERS FOR REF. ONLY
4. CONTACT MATERIAL: SILVER
5. RATING: 2A 48VDC
- ▲ 6. LAMP VOLTAGE: 24V
7. INGRESS PROTECTION: IP65
8. TRAVEL: 2.2mm
9. ACTUATION FORCE: 4N
10. OPERATING TEMP.: -20°C to 55°C
11. INSULATION RESISTANCE: 1,000 MΩ MIN.
12. CONTACT RESISTANCE: 50mΩ MAX. @ 1A 12VDC
13. DIELECTRIC STRENGTH: 2,000 VAC MIN. FOR 1 MINUTE
14. ELECTRIC LIFE: 50,000 CYCLES.
15. ▲ DENOTES CRITICAL PARAMETER.
- ▲ 16. SUPPLIED HARDWARE: O-RING AND HEXNUT
17. USE P/N'S DESIGNATED OR ENGINEERING APPROVED EQUIVALENTS.



| REV | ECO NO     | DESCRIPTION | DATE     | BY |
|-----|------------|-------------|----------|----|
| A   | ECO-101621 | RELEASE     | 02/03/23 | JS |



OBJECT ID  
100123573

|                        |  |              |                   |          |                        |          |
|------------------------|--|--------------|-------------------|----------|------------------------|----------|
| TITLE<br>PV7FWY0SS-345 |  | SCALE<br>2:3 | DATE<br>1/31/2023 | DR<br>JS | DWG<br>52-PV7FWY0SS345 | REV<br>A |
|------------------------|--|--------------|-------------------|----------|------------------------|----------|