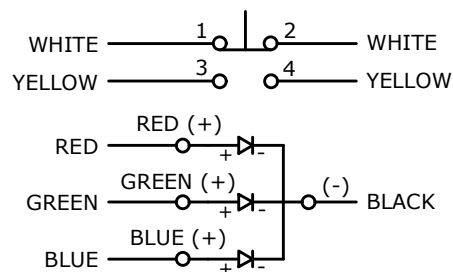
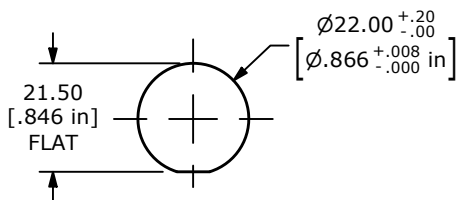


SWITCH	WIRE	LENGTH
SW1-1	WIRE, 24AWG AWM UL1015, WHITE	300.0 [11.8 in]
SW1-2	WIRE, 24AWG AWM UL1015, WHITE	300.0 [11.8 in]
SW1-3	WIRE, 24AWG AWM UL1015, YELLOW	300.0 [11.8 in]
SW1-4	WIRE, 24AWG AWM UL1015, YELLOW	300.0 [11.8 in]
SW1-RED (+)	WIRE, 24AWG AWM UL1015, RED	300.0 [11.8 in]
SW1-GREEN (+)	WIRE, 24AWG AWM UL1015, GREEN	300.0 [11.8 in]
SW1-BLUE (+)	WIRE, 24AWG AWM UL1015, BLUE	300.0 [11.8 in]
SW1- (-)	WIRE, 24AWG AWM UL1015, BLACK	300.0 [11.8 in]



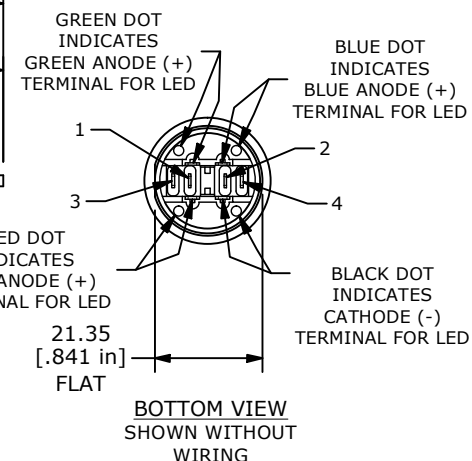
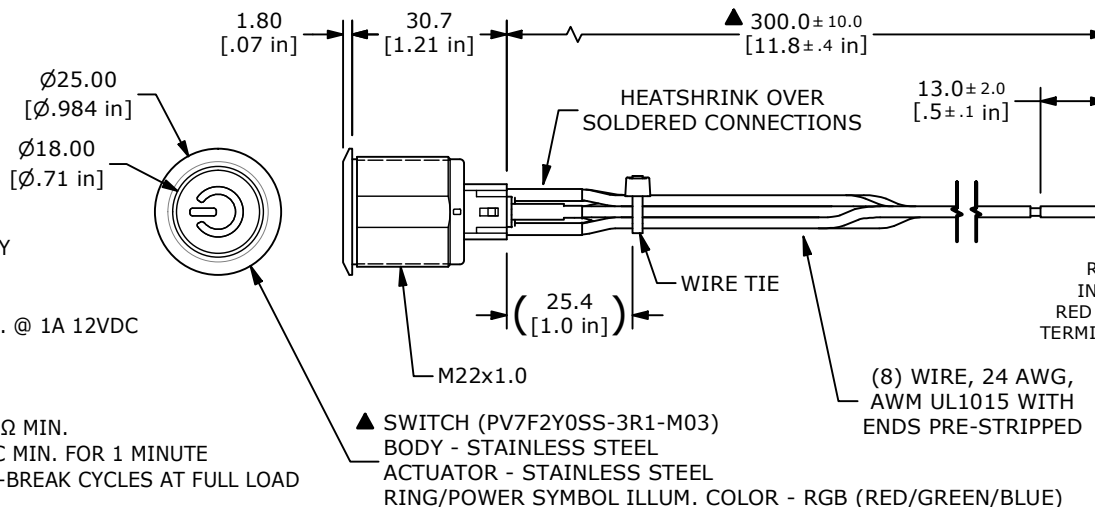
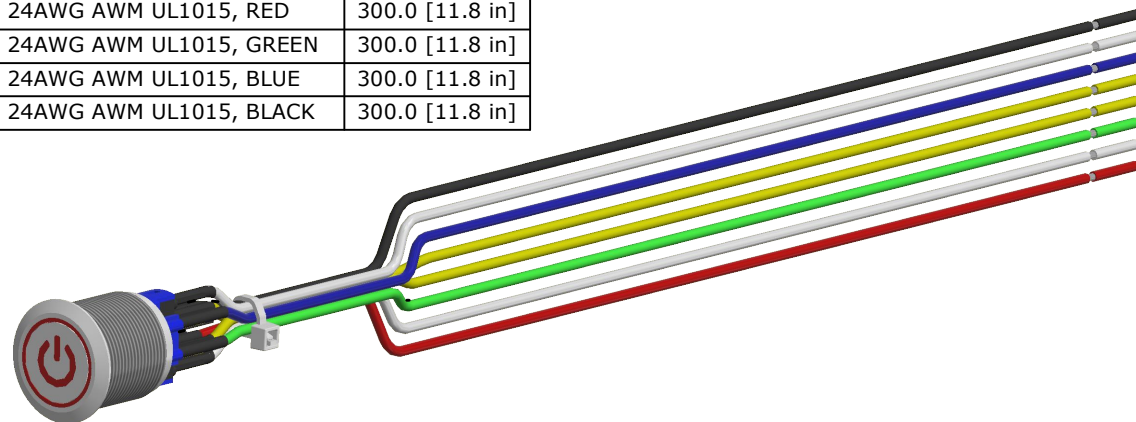
SCHEMATIC  
 SPDT ILLUMINATED  
 ON - (OFF) / OFF - (ON)  
 ( ) DENOTES MOMENTARY FUNCTION



RECOMMENDED PANEL CUTOUT  
 MAX. PANEL THICKNESS 12mm

NOTES:

1. DIMENSIONS IN MM [INCH]
2. TERMINAL NUMBERS FOR REF. ONLY
3. CONTACT MATERIAL: SILVER
4. RATING: 2A 48VDC
5. CONTACT RESISTANCE: 50mΩ MAX. @ 1A 12VDC
6. INGRESS PROTECTION: IP65
7. ACTUATION FORCE: 4N
8. OPERATING TEMP.: -35°C to 85°C
9. INSULATION RESISTANCE: 1,000 MΩ MIN.
10. DIELECTRIC STRENGTH: 2,000 VAC MIN. FOR 1 MINUTE
11. ELECTRIC LIFE: 50,000 MAKE-AND-BREAK CYCLES AT FULL LOAD
12. ▲ DENOTES CRITICAL PARAMETER.
- ▲13. ILLUMINATION VOLTAGE: 1.8V RED, 2.8V GREEN, 2.8V BLUE
- ▲14. SUPPLIED HARDWARE: O-RING AND HEXNUT
15. ALL MATERIAL SHALL BE ROHS COMPLIANT
16. USE P/N'S DESIGNATED OR ENGINEERING APPROVED EQUIVALENTS



REV	ECO NO	DESCRIPTION	DATE	BY
B		Print update	02/17/26	MW

		OBJECT ID 100119848
TITLE PV7FWY0SS-3R1-M03		
SCALE 2:3	DATE 10/20/2021	DR MW
DWG 52-PV7FWY0SS3R1M03	REV B	