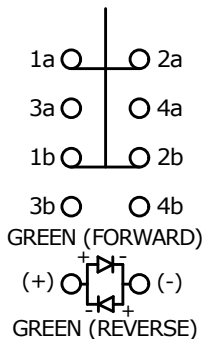


RECOMMENDED PANEL CUTOUT
MAX. PANEL THICKNESS 12mm

▲ SWITCH FUNCTION

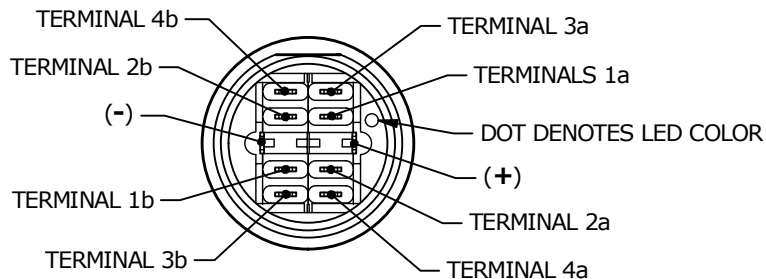
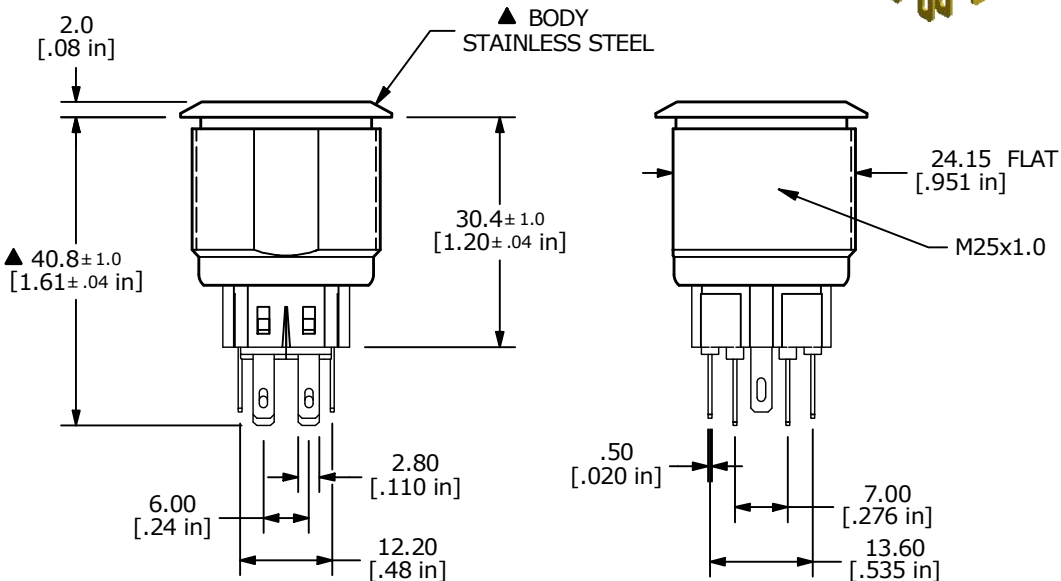
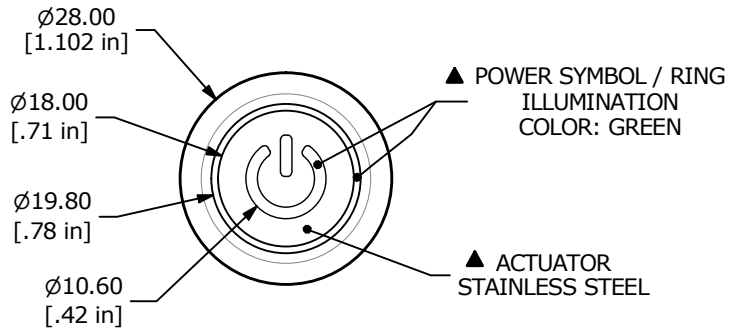
| POS. 1 | POS. 2 |
|----------------|----------------|
| | |
| 1a-2a 1b-2b | 3a-4a 3b-4b |



▲ DPDT OFF-ON/ON-OFF
CONTACT CONFIGURATION

NOTE:

1. ALL DIMENSIONS IN MM [INCH]
2. GENERAL TOLERANCE: X.X = ± 0.4
X.XX = ± 0.25
3. TERMINAL NUMBERS FOR REF. ONLY
- ▲ 4. RATING: 2A @ 48VDC
- ▲ 5. ILLUMINATION VOLTAGE: 2.8V FORWARD, 2.8V REVERSE
6. CONTACT RESISTANCE: 50mΩ MAX. @ 1A 12VDC
7. INSULATION RESISTANCE: 1,000MΩ @ 500VDC
8. DIELECTRIC STRENGTH: 2,000VAC MIN. FOR 1 MINUTE
9. ELECTRICAL LIFE: 50,000 CYCLES
10. OPERATING TEMPERATURE: -20°C to 55°C
11. INGRESS PROTECTION: IP65
12. SUPPLIED HARDWARE: O-RING AND HEXNUT
13. ▲ DENOTES CRITICAL PARAMETER



| | | | | |
|-----|--------|-------------|---------|----|
| A | 24441 | RELEASE | 8/11/20 | MW |
| REV | PCR NO | DESCRIPTION | DATE | BY |

| | | | | |
|-------|--------------------|------|-----------|----|
| TITLE | PV8F2U0SS-331-M14 | | | |
| SCALE | 1:1 | DATE | 8/11/2020 | DR |
| | | | | MW |
| DWG | 52-PV8F2U0SS331M14 | REV | A | |

THE INFORMATION CONTAINED IN THIS DOCUMENT IS PROPRIETARY
TO E-SWITCH AND IS NOT TO BE COPIED OR TRANSFERRED