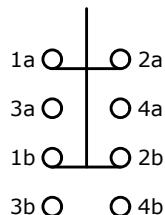


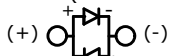
RECOMMENDED PANEL CUTOUT  
MAX. PANEL THICKNESS 12mm

SWITCH FUNCTION	
POS. 1	POS. 2
1a-2a 1b-2b	(3a-4a) (3b-4b)

( ) = MOMENTARY



▲ GREEN (FORWARD)

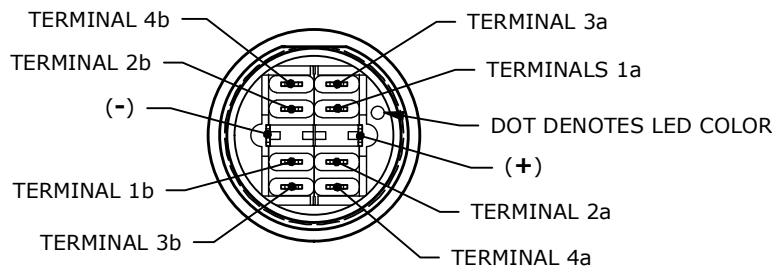
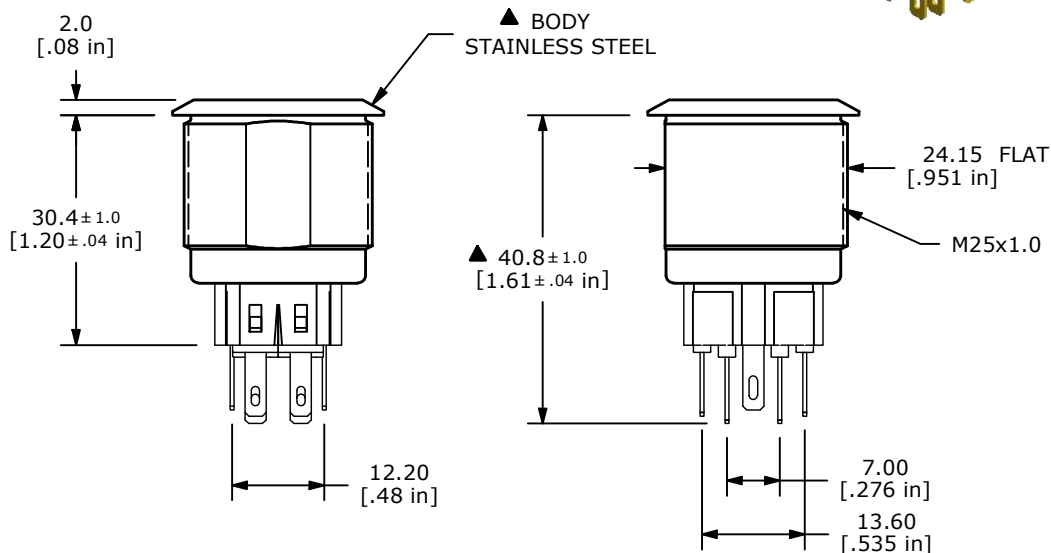
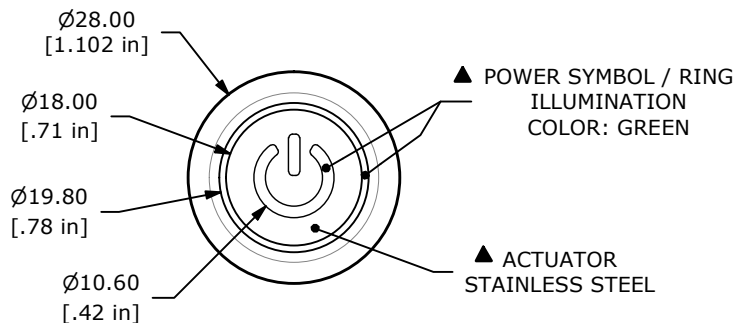


▲ GREEN (REVERSE)

▲ DPDT ON (OFF) / OFF (ON)  
CONTACT CONFIGURATION

NOTE:

- ALL DIMENSIONS IN MM [INCH]
- GENERAL TOLERANCE: X.X = ± 0.4  
X.XX = ± 0.25
- TERMINAL NUMBERS FOR REF. ONLY
- RATING: 2A @ 48VDC
- ILLUMINATION VOLTAGE: 2.8V FORWARD, 2.8V REVERSE
- CONTACT RESISTANCE: 50mΩ MAX. @ 1A 12VDC
- INSULATION RESISTANCE: 1,000MΩ @ 500VDC
- DIELECTRIC STRENGTH: 2,000VAC MIN. FOR 1 MINUTE
- ELECTRICAL LIFE: 50,000 CYCLES
- OPERATING TEMPERATURE: -20°C to 55°C
- INGRESS PROTECTION: IP65
- SUPPLIED HARDWARE: O-RING AND HEXNUT
- ▲ DENOTES CRITICAL PARAMETER
- 2011/65/EU (ROHS) COMPLIANT



C	22929	update term. base orientation and Ring thk.	7/17/17	MW
B	21947	UPDATE TO "D" HOUSING	8/17/15	MW
A	21845	RELEASE FOR PRODUCTION	5/5/15	MW
REV	PCR NO	DESCRIPTION	DATE	BY



OBJECT ID  
000003108

TITLE PV8F2V0SS-331-M14				
SCALE 1:1	DATE 5/5/2015	DR MW	DWG 52-PV8F2V0SS331M14	REV C