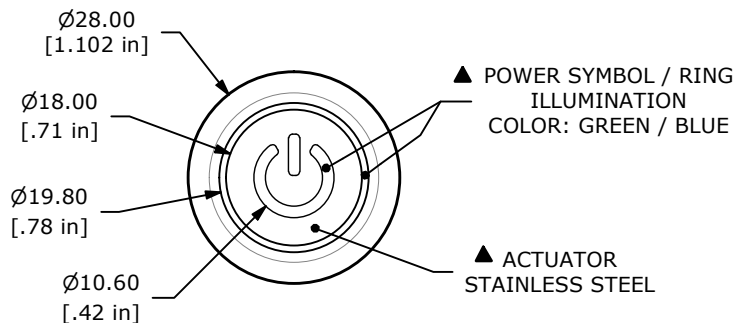
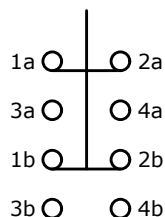


RECOMMENDED PANEL CUTOUT
MAX. PANEL THICKNESS 12mm

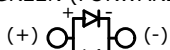


SWITCH FUNCTION	
POS. 1	POS. 2
1a-2a 1b-2b	(3a-4a) (3b-4b)

() = MOMENTARY

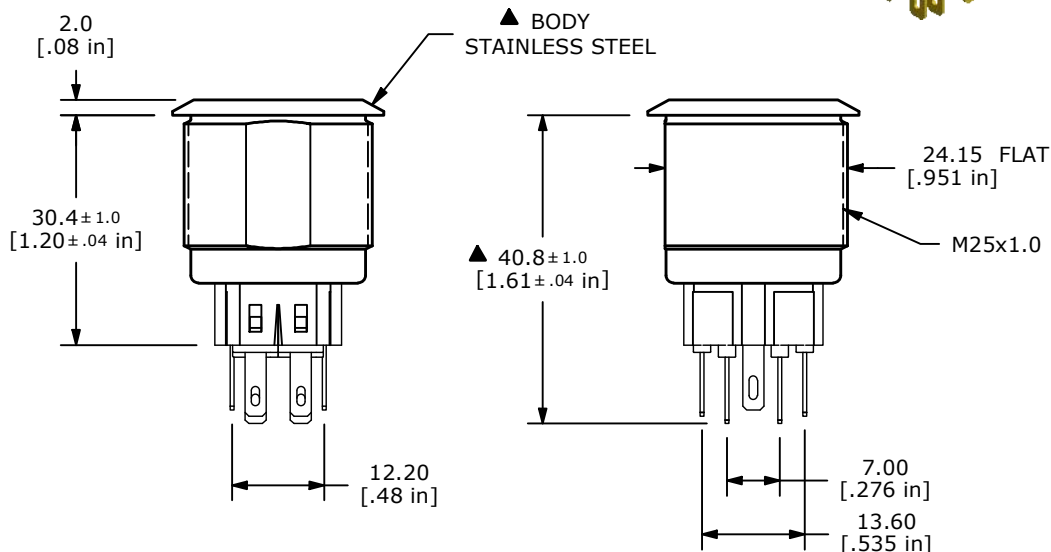


▲ GREEN (FORWARD)



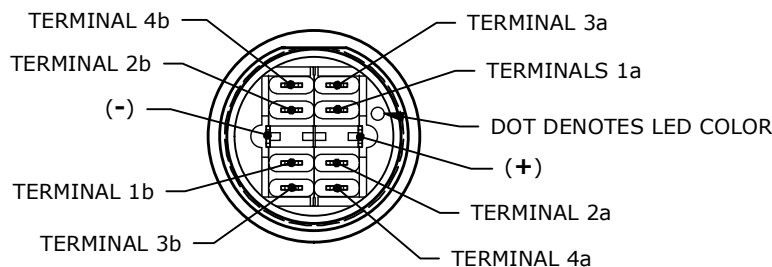
▲ BLUE (REVERSE)

▲ DPDT ON (OFF) / OFF (ON)
CONTACT CONFIGURATION



NOTE:

- ALL DIMENSIONS IN MM [INCH]
- GENERAL TOLERANCE: X.X = ± 0.4
X.XX = ± 0.25
- TERMINAL NUMBERS FOR REF. ONLY
- RATING: 2A @ 48VDC
- CONTACT RESISTANCE: 50mΩ MAX. @ 1A 12VDC
- INSULATION RESISTANCE: 1,000MΩ @ 500VDC
- DIELECTRIC STRENGTH: 2,000VAC MIN. FOR 1 MINUTE
- ELECTRICAL LIFE: 50,000 CYCLES
- OPERATING TEMPERATURE: -20°C to 55°C
- INGRESS PROTECTION: IP65
- ▲ DENOTES CRITICAL PARAMETER
- ▲ 12. SUPPLIED HARDWARE: O-RING AND HEXNUT
- ▲ 13. ILLUMINATION COLOR: GREEN (FORWARD), BLUE (REVERSE)
- ▲ 14. ILLUMINATION VOLTAGE: 2.8V FORWARD, 2.8V REVERSE



REV	ECO NO	DESCRIPTION	DATE	BY	E-SWITCH®				OBJECT ID
A	ECO-100168	RELEASE	06/15/21	JM					100116987
					TITLE PV8F2V0SS-3N1-M14				
					SCALE 1:1	DATE 6/10/2021	DR JM	DWG 52-PV8F2V0SS3N1M14	REV A

THE INFORMATION CONTAINED IN THIS DOCUMENT IS PROPRIETARY TO E-SWITCH AND IS NOT TO BE COPIED OR TRANSFERRED