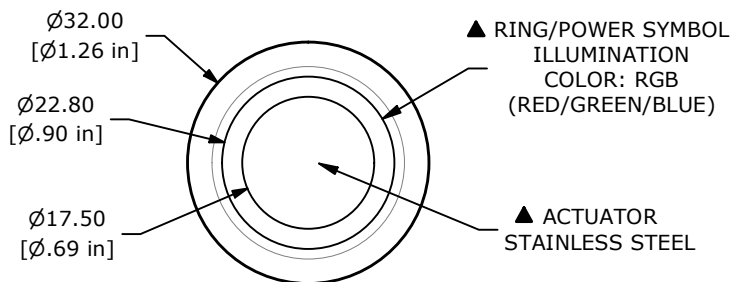
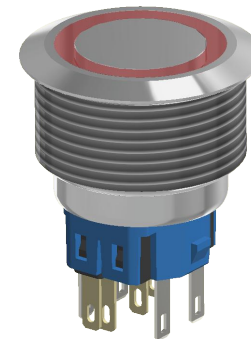


RECOMMENDED PANEL CUTOUT
 MAX. PANEL THICKNESS 7mm



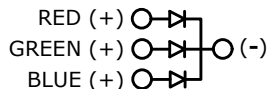
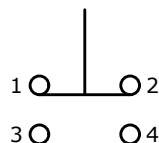
▲ RING/POWER SYMBOL
 ILLUMINATION
 COLOR: RGB
 (RED/GREEN/BLUE)

▲ ACTUATOR
 STAINLESS STEEL

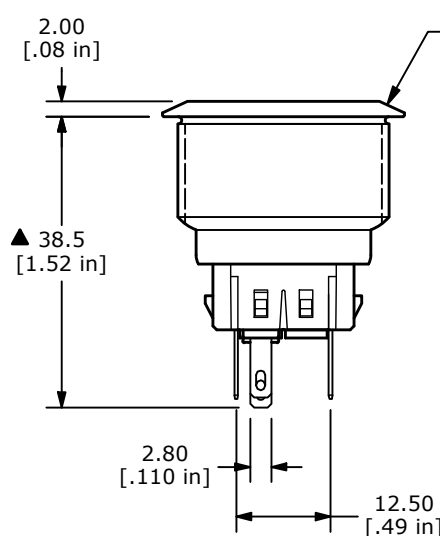


▲ SWITCH FUNCTION

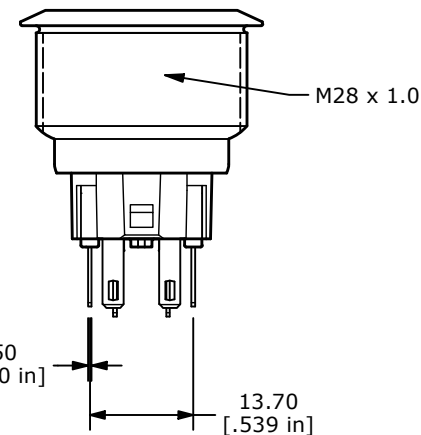
POS. 1	POS. 2
1-2 ON	1-2 (OFF)
3-4 OFF	3-4 (ON)



SCHEMATIC
 SPDT
 OFF-(ON)/ON-(OFF)

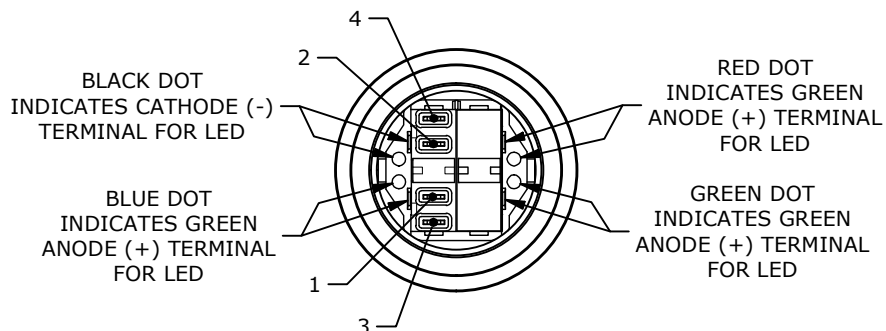


▲ HOUSING
 STAINLESS STEEL



NOTE:

- ALL DIMENSIONS IN MM [INCH]
- GENERAL TOLERANCE: X.X = ± 0.4
 X.XX = ± 0.25
- TERMINAL NUMBERS FOR REF ONLY
- CONTACT MATERIAL: SILVER
- RATING: 5A, 250VAC
- ELECTRICAL LIFE: 50,000
- INSULATION RESISTANCE: 1000 M Ω MIN.
- DIELECTRIC STRENGTH: 1,500 VAC MIN. FOR 1 MINUTE
- CONTACT RESISTANCE: 50m Ω MAX.
- OPERATING TEMP.: -35°C to 85°C
- ▲ DENOTES CRITICAL PARAMETER.
- ▲ 12. HARDWARE SUPPLIED: O-RING AND HEXNUT
- ▲ 13. LAMP VOLTAGE: 24V



REV	ECO NO	DESCRIPTION	DATE	BY	OBJECT ID
A	ECO-103804	Release	12/17/25	MW	100131581
TITLE					PV9F2Y0SS-3R5
SCALE		DATE	DR	DWG	REV
1:1		12/11/2025	MW	52-PV9F2Y0SS3R5	A