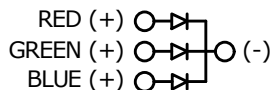
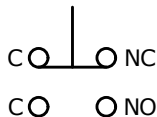
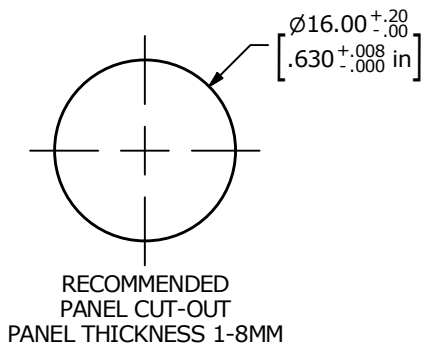


SWITCH FUNCTION	
POS. 1	POS. 2
ON	(ON)
C - NC	C - NO



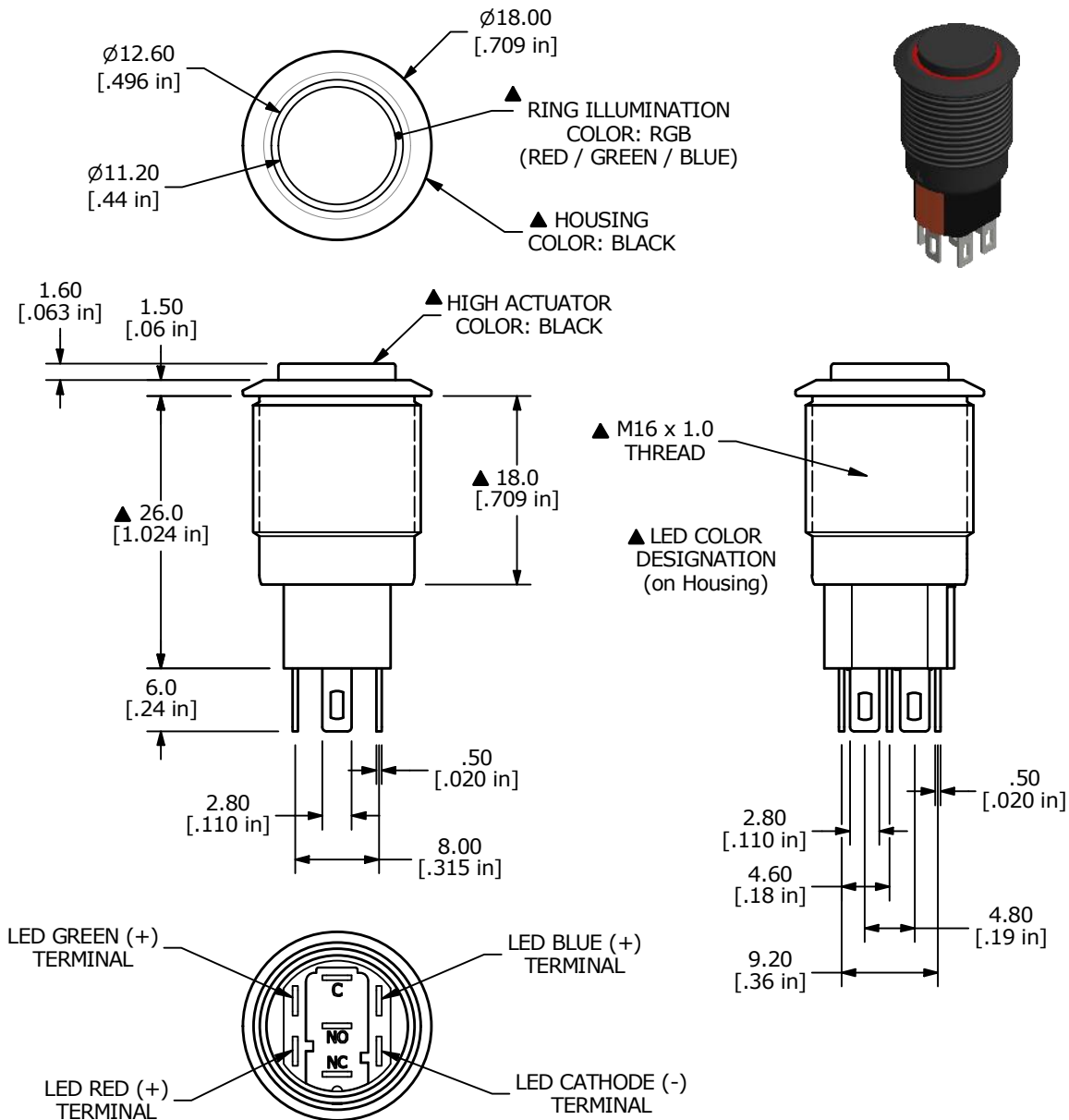
▲ SCHEMATIC

() DENOTES MOMENTARY FUNCTION



NOTE:

1. ALL DIMENSIONS IN mm [INCH]
2. GENERAL TOLERANCE: X.X = ±0.4
X.XX = ±0.25
3. TERMINAL NUMBERS FOR REF ONLY
4. CONTACT MATERIAL: SILVER
5. RATING: 2A 36VDC
6. ELECTRIC LIFE: 50,000 MAKE-AND-BREAK CYCLES AT FULL LOAD.
7. INSULATION RESISTANCE: 1,000 MΩ MIN.
8. DIELECTRIC STRENGTH: 1,500 VAC MIN. FOR 1 MINUTE
9. CONTACT RESISTANCE: 50mΩ MAX.
10. OPERATING TEMP.: -25°C to 55°C
11. TRAVEL: 3.0mm
12. ▲ DENOTES CRITICAL PARAMETER
13. ACTUATION FORCE: 1.7N NOMINAL
14. INGRESS PROTECTION: IP65
15. HARDWARE SUPPLIED: O-RING AND HEXNUT
- ▲ 16. LAMP VOLTAGE: BASE VOLTAGE
1.8V RED; 2.8V GREEN; 2.8V BLUE



REV	ECO NO	DESCRIPTION	DATE	BY
E	ECO-101599	PRINT UPDATE	02/01/23	JS

				OBJECT ID 000003249
TITLE PVA3H2B0113R1				

SCALE 3:2	DATE 3/1/2018	DR MJR	DWG 52-PVA3H2B0113R1	REV E
--------------	------------------	-----------	-------------------------	----------