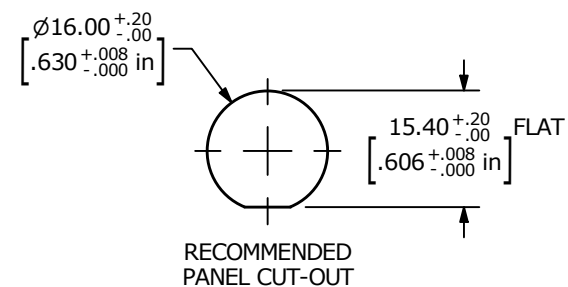
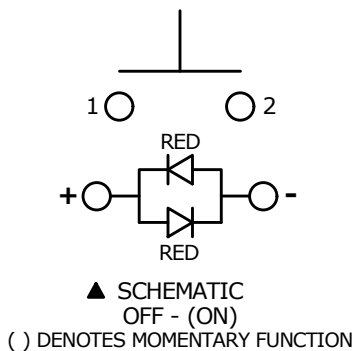


NOTE:

1. ALL DIMENSIONS IN MM [INCH]
2. GENERAL TOLERANCE: X.X = ±0.4
X.XX = ±0.25
3. TERMINAL NUMBERS FOR REF ONLY
4. CONTACT MATERIAL: SILVER PLATED
5. RATING: 2A 36VDC
6. ELECTRIC LIFE: 200,000
7. INSULATION RESISTANCE: 1,000MΩ MIN @ 500VDC.
8. DIELECTRIC STRENGTH: 2,000VAC MIN. FOR 1 MINUTE
9. CONTACT RESISTANCE: 50mΩ MAX. @ 1A 12VDC
10. OPERATING TEMP.: -20°C to 70°C
11. TRAVEL: 2.0mm
12. ▲ DENOTES CRITICAL PARAMETER.
- ▲ 13. ILLUMINATION COLOR: RED
- ▲ 14. HARDWARE SUPPLIED: O-RING AND HEXNUT (NOT SHOWN)
15. ILLUMINATION VOLTAGE RATING: 1.7 - 2.5V @ 20mA
16. INGRESS PROTECTION: IP67



REV	ECO NO	DESCRIPTION	DATE	BY	E-SWITCH®				OBJECT ID
A	ECO-101509	Release	12/16/22	MW					100123260
					TITLE PVA6FEM4S11				
					SCALE 1:1	DATE 12/9/2022	DR MW	DWG T960056	REV A