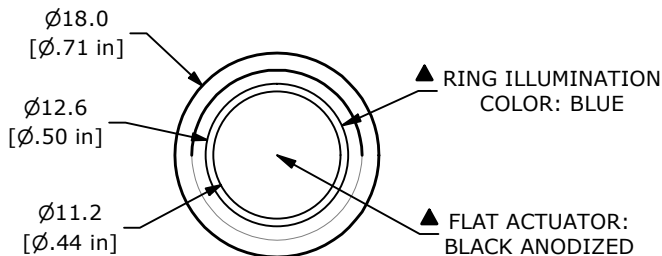
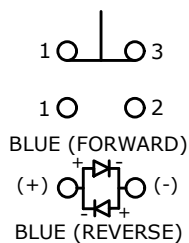


RECOMMENDED PANEL CUTOUT
MAX. PANEL THICKNESS 7.0mm

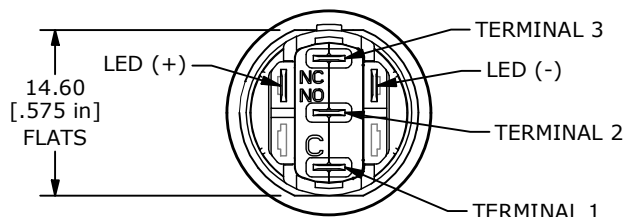
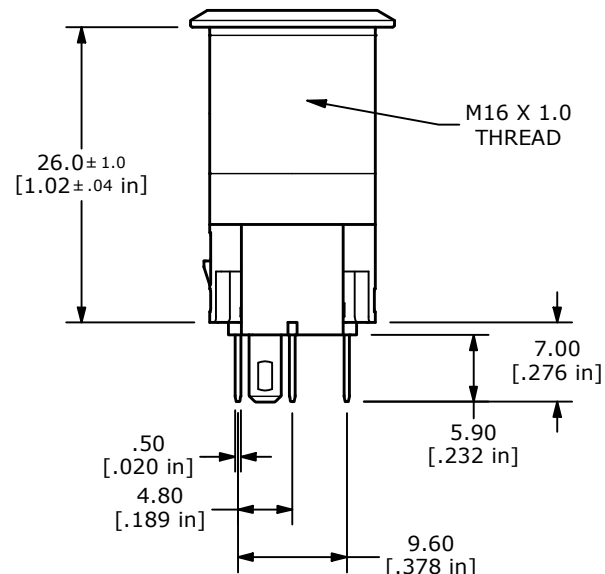
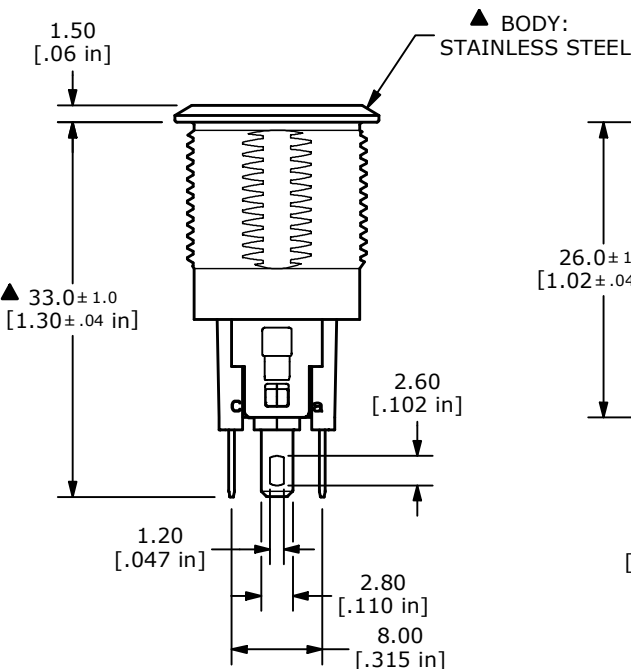


SWITCH FUNCTION	
POS. 1	POS. 2
ON	ON
1-3	1-2



▲ SCHEMATIC
1P ON - ON

- NOTE:
- ALL DIMENSIONS IN MM [INCH]
 - GENERAL TOLERANCE: X.X = ±0.4
X.XX = ±0.25
 - TERMINAL NUMBERS FOR REF ONLY
 - CONTACT MATERIAL: SILVER
 - RATING: 2A, 24VDC / 5A, 250VAC
 - ELECTRIC LIFE: 50,000 MAKE-AND-BREAK CYCLES AT FULL LOAD.
 - INSULATION RESISTANCE: 100 MΩ MIN.
 - DIELECTRIC STRENGTH: 1,500 VAC MIN. FOR 1 MINUTE
 - CONTACT RESISTANCE: 50mΩ MAX.
 - OPERATING TEMP.: -40°C to +85°C (NO FREEZING, KEEP THE AIR FLOWING AROUND THE PUSHBUTTON).
 - ▲ DENOTES CRITICAL PARAMETER.
 - HARDWARE SUPPLIED: O-RING AND HEXNUT
 - INGRESS RATING: IP67
 - LAMP VOLTAGE: 12V



REV	ECO NO	DESCRIPTION	DATE	BY
A		Release	05/29/25	MW



OBJECT ID
100130388

TITLE PVB3F230S1344				
SCALE 3:2	DATE 5/28/2025	DR MW	DWG 52-PVB3F230S1344	REV A