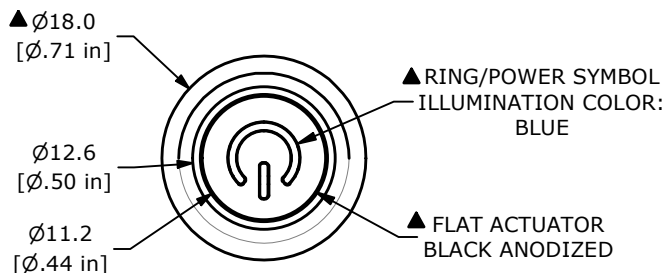
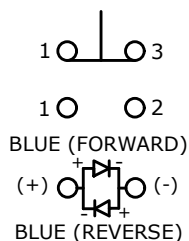


RECOMMENDED PANEL CUTOUT
MAX. PANEL THICKNESS 7.0mm



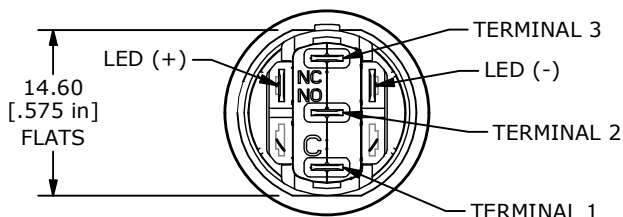
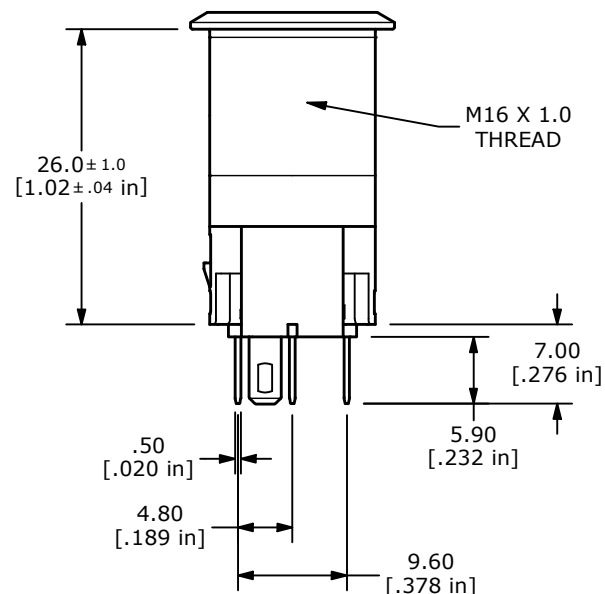
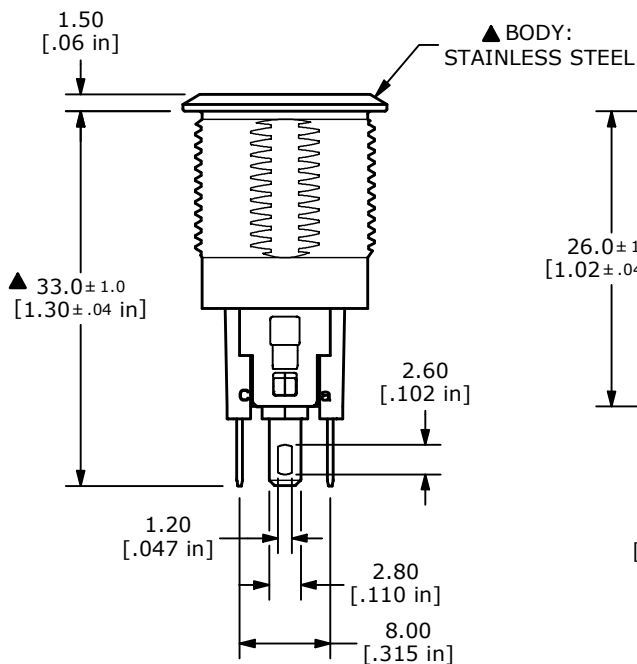
\blacktriangle SWITCH FUNCTION

POS. 1	POS. 2
ON	ON
1-3	1-2



\blacktriangle SCHEMATIC
1P ON - ON

- NOTE:
- ALL DIMENSIONS IN MM [INCH]
 - GENERAL TOLERANCE: X.X = ± 0.4
X.XX = ± 0.25
 - TERMINAL NUMBERS FOR REF ONLY
 - \blacktriangle CONTACT MATERIAL: SILVER
 - RATING: 2A, 24VDC / 5A, 250VAC
 - ELECTRIC LIFE: 50,000 MAKE-AND-BREAK CYCLES AT FULL LOAD.
 - INSULATION RESISTANCE: 100 M Ω MIN.
 - DIELECTRIC STRENGTH: 1,500 VAC MIN. FOR 1 MINUTE
 - CONTACT RESISTANCE: 50m Ω MAX.
 - OPERATING TEMP.: -40°C to +85°C (NO FREEZING, KEEP THE AIR FLOWING AROUND THE PUSHBUTTON).
 - \blacktriangle DENOTES CRITICAL PARAMETER.
 - \blacktriangle 12. HARDWARE SUPPLIED: O-RING AND HEXNUT
 - \blacktriangle 13. INGRESS RATING: IP67
 - \blacktriangle 14. LAMP VOLTAGE: 12V



REV	ECO NO	DESCRIPTION	DATE	BY	E-SWITCH®			OBJECT ID	
A	ECO-103450	RELEASE	06/02/25	JS	TITLE PVB3F230S1644			100130396	
THE INFORMATION CONTAINED IN THIS DOCUMENT IS PROPRIETARY TO E-SWITCH AND IS NOT TO BE COPIED OR TRANSFERRED					SCALE	DATE	DR	DWG	REV
					3:2	5/28/2025	JS	52-PVB3F230S1644	A