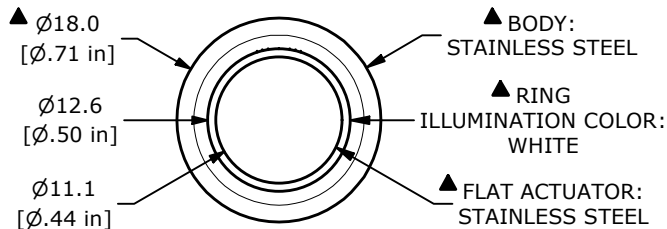


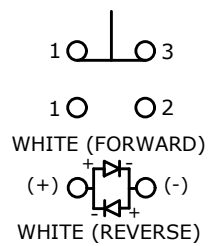
RECOMMENDED PANEL CUTOUT
MAX. PANEL THICKNESS 7.0 [.275 in]



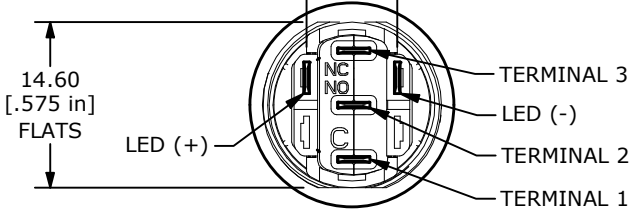
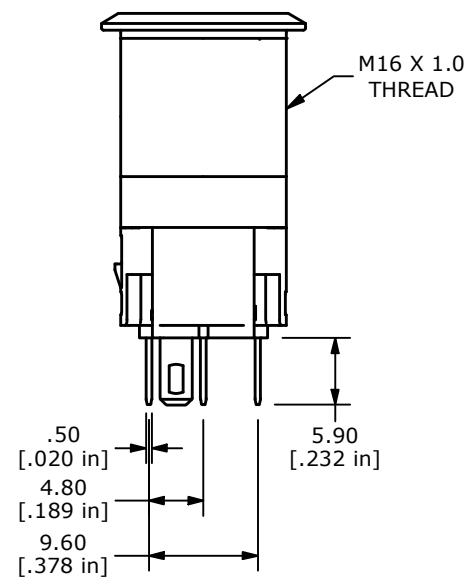
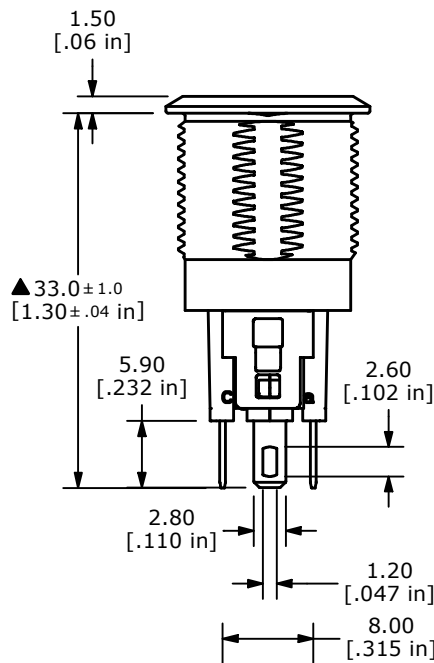
▲ BODY: STAINLESS STEEL
▲ RING ILLUMINATION COLOR: WHITE
▲ FLAT ACTUATOR: STAINLESS STEEL



SWITCH FUNCTION	
POS. 1	POS. 2
ON	(ON)
1-3	1-2



▲ SCHEMATIC 1P ON - (ON)
() DENOTES MOMENTARY



- NOTE:
- ALL DIMENSIONS IN MM [INCH]
 - GENERAL TOLERANCE: X.X ± 0.4
X.XX ± 0.25
 - TERMINAL NUMBERS FOR REF ONLY
 - CONTACT MATERIAL: SILVER
 - RATING: 2A, 24VDC / 1.5A, 250VAC
 - ELECTRIC LIFE: 50,000 MAKE-AND-BREAK CYCLES AT FULL LOAD.
 - INSULATION RESISTANCE: 100 MΩ MIN.
 - DIELECTRIC STRENGTH: 1,500 VAC MIN. FOR 1 MINUTE
 - CONTACT RESISTANCE: 50mΩ MAX.
 - OPERATING TEMP.: -40°C to +85°C (NO FREEZING, KEEP THE AIR FLOWING AROUND THE PUSHBUTTON).
 - ▲ DENOTES CRITICAL PARAMETER.
 - HARDWARE SUPPLIED: O-RING AND HEXNUT
 - INGRESS RATING: IP67
 - LAMP VOLTAGE: 24V WHITE

REV	ECO NO	DESCRIPTION	DATE	BY	E-SWITCH®			OBJECT ID	
A	ECO-103386	RELEASE	04/24/25	JS	TITLE PVB3F2B0SS305			100130189	
THE INFORMATION CONTAINED IN THIS DOCUMENT IS PROPRIETARY TO E-SWITCH AND IS NOT TO BE COPIED OR TRANSFERRED					SCALE	DATE	DR	DWG	REV
					3:2	4/22/2025	JS	52-PVB3F2B0SS305	A