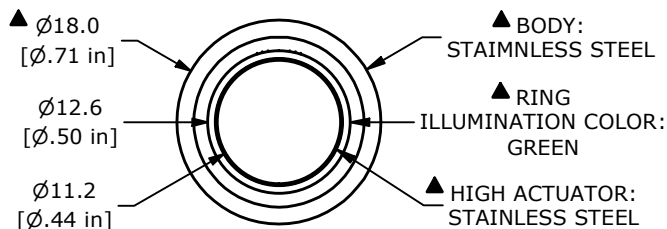
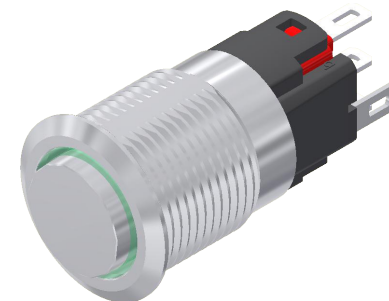


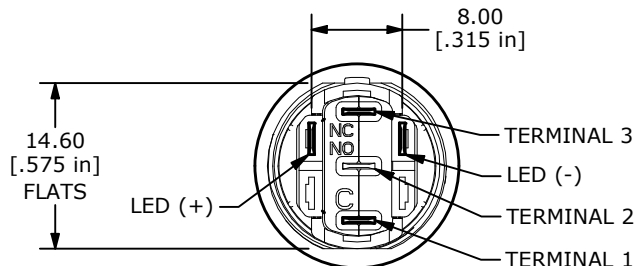
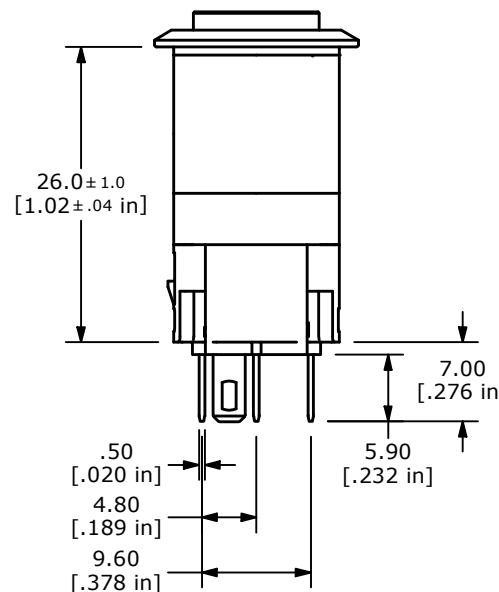
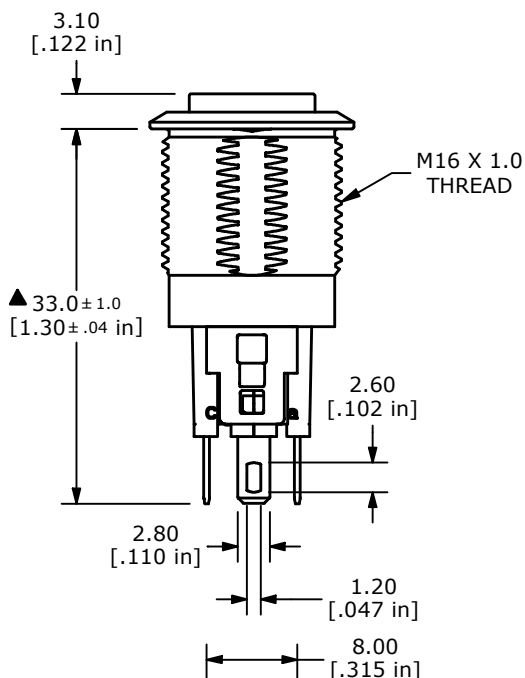
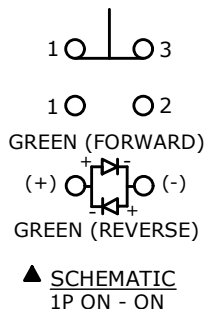
RECOMMENDED PANEL CUTOUT  
MAX. PANEL THICKNESS 7.0 [.275 in]



- ▲ BODY: STAINLESS STEEL
- ▲ RING ILLUMINATION COLOR: GREEN
- ▲ HIGH ACTUATOR: STAINLESS STEEL



SWITCH FUNCTION	
POS. 1	POS. 2
ON	ON
1-3	1-2



- NOTE:
1. ALL DIMENSIONS IN MM [INCH]
  2. GENERAL TOLERANCE: X.X ± 0.4  
X.XX ± 0.25
  3. TERMINAL NUMBERS FOR REF ONLY
  - ▲ 4. CONTACT MATERIAL: SILVER
  5. RATING: 2A, 24VDC / 5A, 250VAC
  6. ELECTRIC LIFE: 50,000 MAKE-AND-BREAK CYCLES AT FULL LOAD.
  7. INSULATION RESISTANCE: 100 MΩ MIN.
  8. DIELECTRIC STRENGTH: 1,500 VAC MIN. FOR 1 MINUTE
  9. CONTACT RESISTANCE: 50mΩ MAX.
  - ▲ 10. OPERATING TEMP.: -40°C to +85°C (NO FREEZING, KEEP THE AIR FLOWING AROUND THE PUSHBUTTON).
  - ▲ 11. ▲ DENOTES CRITICAL PARAMETER.
  - ▲ 12. HARDWARE SUPPLIED: O-RING AND HEXNUT
  - ▲ 13. INGRESS RATING: IP67
  - ▲ 14. LAMP VOLTAGE: 12V GREEN

REV	ECO NO	DESCRIPTION	DATE	BY
B	ECO-103146	5.90 DIM, 0.5mA 220VAC TO 5A 250VAC, & IP67	01/14/25	MR



OBJECT ID  
100127714

TITLE PVB3H230SS334				
SCALE 3:2	DATE 6/20/2024	DR JS	DWG 52-PVB3H230SS334	REV B