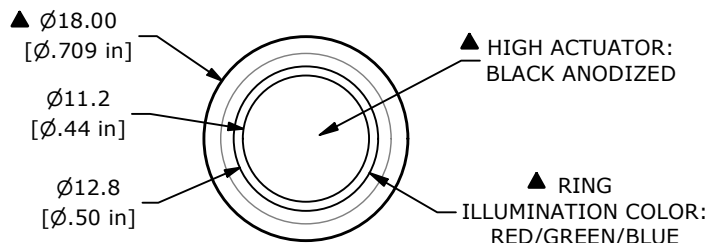
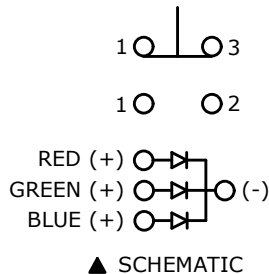


RECOMMENDED PANEL CUTOUT
MAX. PANEL THICKNESS 7.0 [.276 in]

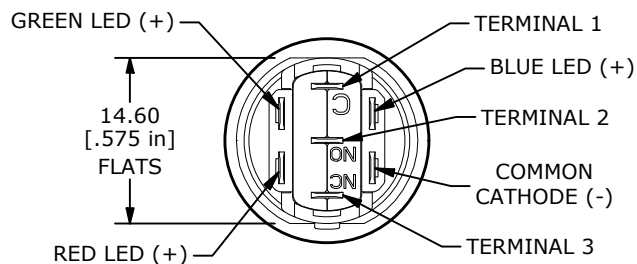
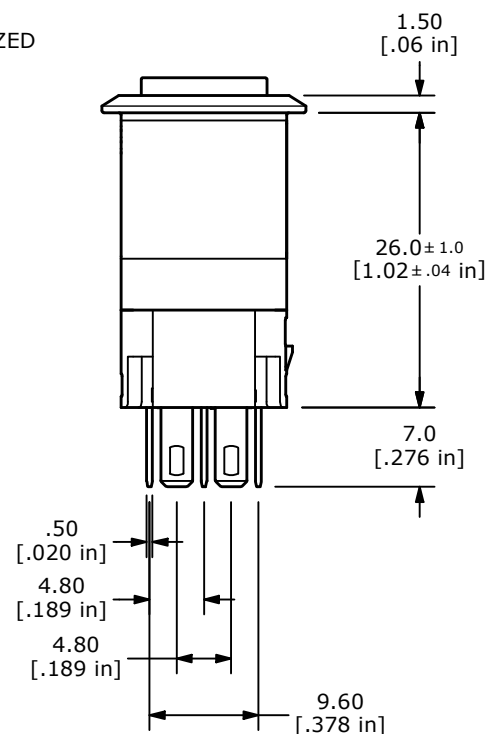
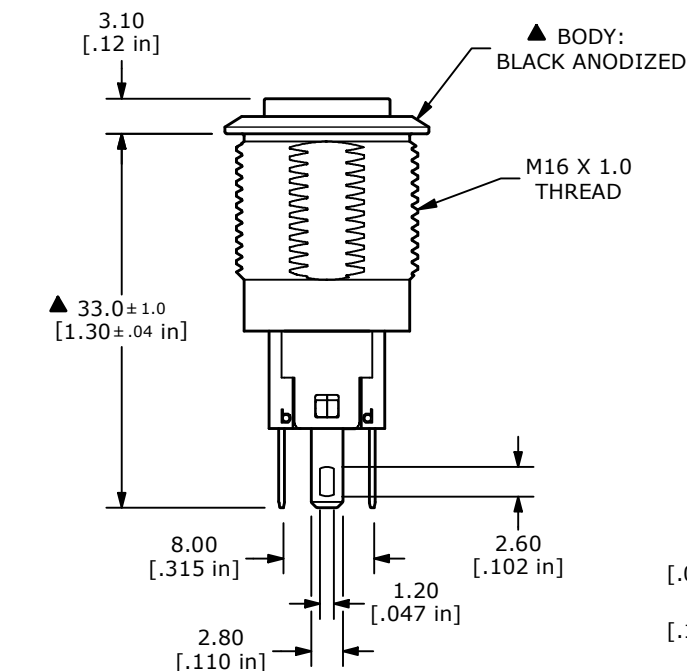


SWITCH FUNCTION	
POS. 1	POS. 2
ON	(ON)
1-3	1-2

(ON) = MOMENTARY



- NOTE:
- ALL DIMENSIONS IN MM [INCH]
 - GENERAL TOLERANCE: X.X = ±0.4
X.XX = ±0.25
 - TERMINAL NUMBERS FOR REF ONLY
 - CONTACT MATERIAL: SILVER
 - RATING: 2A, 24VDC. 0.5A, 220VAC
 - ELECTRIC LIFE: 50,000 MAKE-AND-BREAK CYCLES AT FULL LOAD.
 - INSULATION RESISTANCE: 1000 MΩ MIN.
 - DIELECTRIC STRENGTH: 1,500 VAC MIN. FOR 1 MINUTE
 - CONTACT RESISTANCE: 50mΩ MAX.
 - OPERATING TEMP.: -25°C to 55°C (NO FREEZING, KEEP THE AIR FLOWING AROUND THE PUSHBUTTON).
 - ▲ DENOTES CRITICAL PARAMETER.
 - ▲ 12. HARDWARE SUPPLIED: O-RING AND HEXNUT
 - ▲ 13. INGRESS RATING: IP65
 - ▲ 14. LAMP VOLTAGE: 1.8V RED; 2.8V GREEN; 2.8V BLUE



REV	ECO NO	DESCRIPTION	DATE	BY
A	ECO-102320	Release	11/03/23	MW



OBJECT ID
100126075

TITLE PVB3H2B0113R1				
SCALE 3:2	DATE 10/24/2023	DR MW	DWG 52-PVB3H2B0113R1	REV A