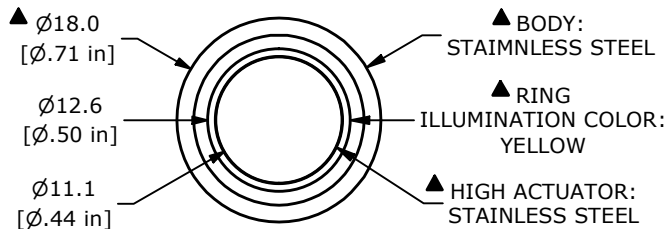
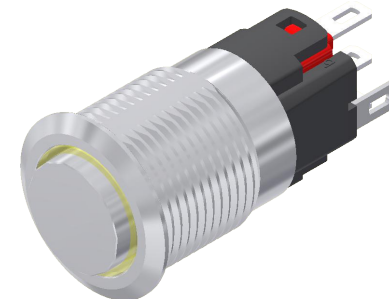


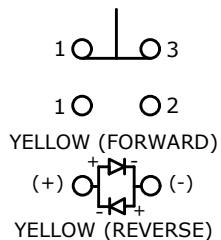
RECOMMENDED PANEL CUTOUT  
MAX. PANEL THICKNESS 7.0 [.275 in]



▲ BODY: STAINLESS STEEL  
▲ RING ILLUMINATION COLOR: YELLOW  
▲ HIGH ACTUATOR: STAINLESS STEEL

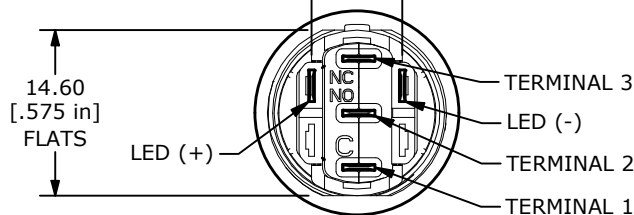
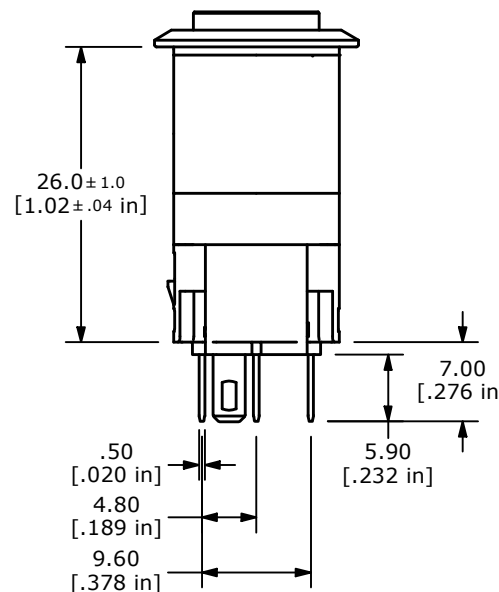
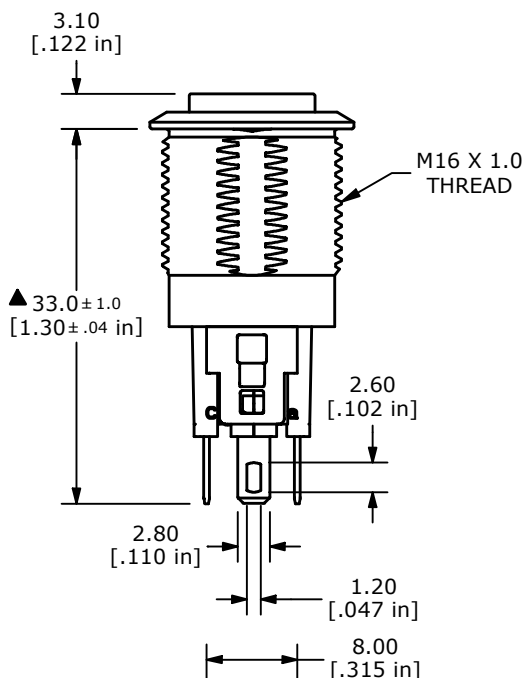


SWITCH FUNCTION	
POS. 1	POS. 2
ON	ON
1-3	1-2



▲ SCHEMATIC  
1P ON - (ON)  
( ) DENOTES MOMENTARY

- NOTE:
- ALL DIMENSIONS IN MM [INCH]
  - GENERAL TOLERANCE: X.X = ±0.4  
X.XX = ±0.25
  - TERMINAL NUMBERS FOR REF ONLY
  - CONTACT MATERIAL: SILVER
  - RATING: 2A, 24VDC / 5A, 250VAC
  - ELECTRIC LIFE: 50,000 MAKE-AND-BREAK CYCLES AT FULL LOAD.
  - INSULATION RESISTANCE: 100 MΩ MIN.
  - DIELECTRIC STRENGTH: 1,500 VAC MIN. FOR 1 MINUTE
  - CONTACT RESISTANCE: 50mΩ MAX.
  - OPERATING TEMP.: -40°C to +85°C (NO FREEZING, KEEP THE AIR FLOWING AROUND THE PUSHBUTTON).
  - ▲ DENOTES CRITICAL PARAMETER.
  - HARDWARE SUPPLIED: O-RING AND HEXNUT
  - INGRESS RATING: IP67
  - LAMP VOLTAGE: 1.8V YELLOW



REV	ECO NO	DESCRIPTION	DATE	BY
B	ECO-103146	5.90 DIM, 0.5mA 220VAC TO 5A 250VAC, & IP67	01/14/25	MR



OBJECT ID  
100126782

TITLE PVB3H2B0SS351		SCALE 3:2	DATE 2/6/2024	DR JS	DWG 52-PVB3H2B0SS351	REV B
------------------------	--	--------------	------------------	----------	-------------------------	----------