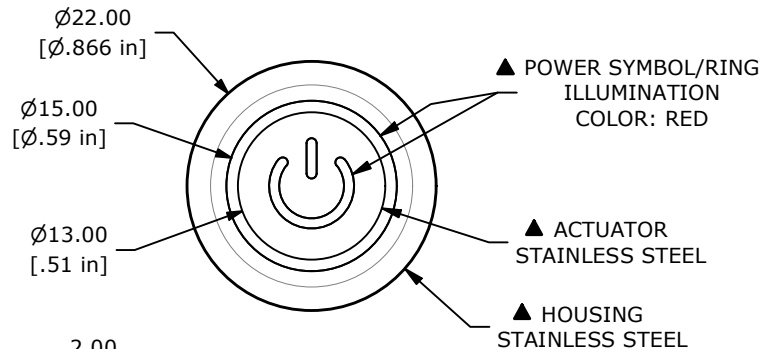
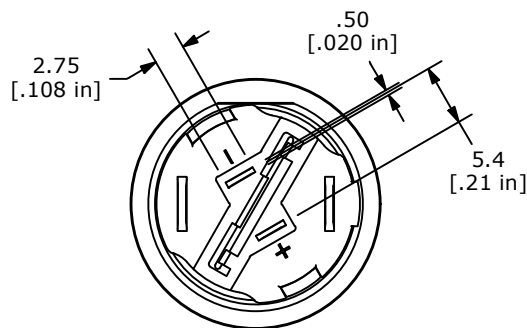
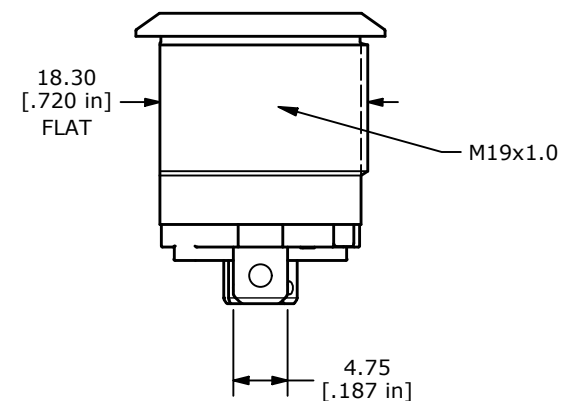
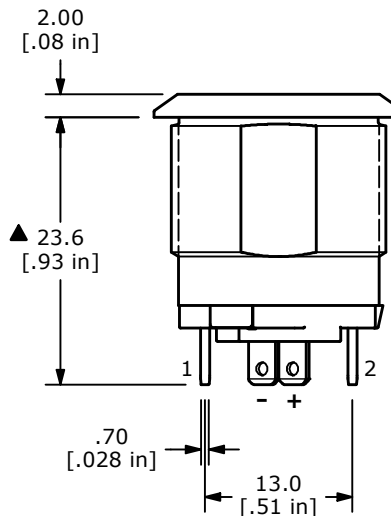


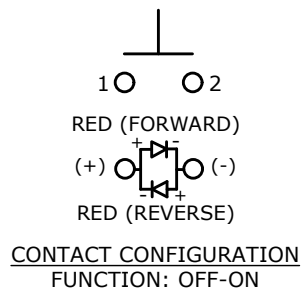
PANEL CUTOUT  
MAX. PANEL THICKNESS 6mm



- ▲ POWER SYMBOL/RING ILLUMINATION COLOR: RED
- ▲ ACTUATOR STAINLESS STEEL
- ▲ HOUSING STAINLESS STEEL



SWITCH FUNCTION	
POS. 1	POS. 2
OFF	ON
OPEN	1-2



- NOTE:
1. ALL DIMENSIONS IN MM [INCH]
  2. GENERAL TOLERANCE: X.X =  $\pm 0.4$   
X.XX =  $\pm 0.25$
  3. TERMINAL NUMBERS FOR REF ONLY
  4. CONTACT MATERIAL: SILVER
  5. RATING: 20A/250VAC
  6. ELECTRIC LIFE: 50,000 MAKE-AND-BREAK CYCLES AT FULL LOAD.
  7. INSULATION RESISTANCE: 100M $\Omega$  @ 500VDC
  8. DIELECTRIC STRENGTH: 1,500 VAC
  9. CONTACT RESISTANCE: 100m $\Omega$
  10. OPERATING TEMP.: -40°C to 85°C
  11. TRAVEL: 3.5mm
  12. ▲ DENOTES CRITICAL PARAMETER.
  - ▲ 13. LAMP VOLTAGE: 24V
  - ▲ 14. ILLUMINATION COLOR: RED
  - ▲ 15. INGRESS PROTECTION: IP67
  - ▲ 16. HARDWARE SUPPLIED: O-RING AND HEXNUT

REV	ECO NO	DESCRIPTION	DATE	BY	E-SWITCH®			OBJECT ID	
B	ECO-103529	PRINT UPDATE	07/15/25	JS				100124971	
					TITLE PVHC4F23SS615				
					SCALE 3:2	DATE 7/26/2023	DR MW	DWG 52-PVHC4F23SS615	REV B