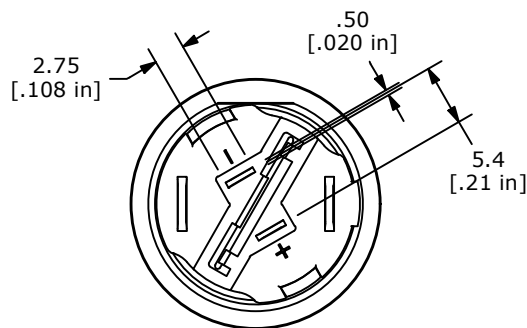
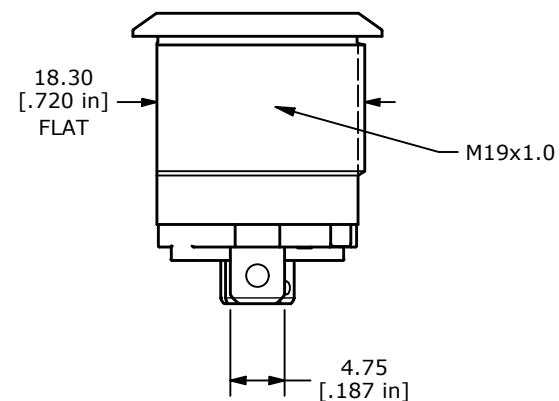
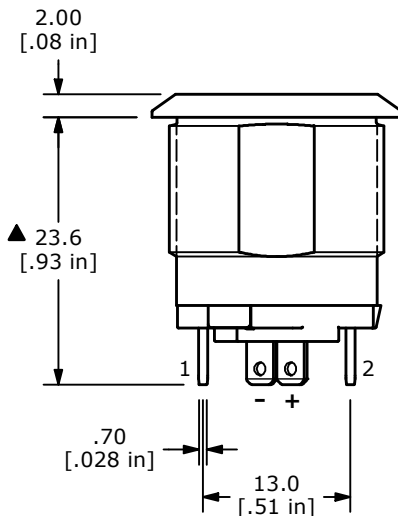
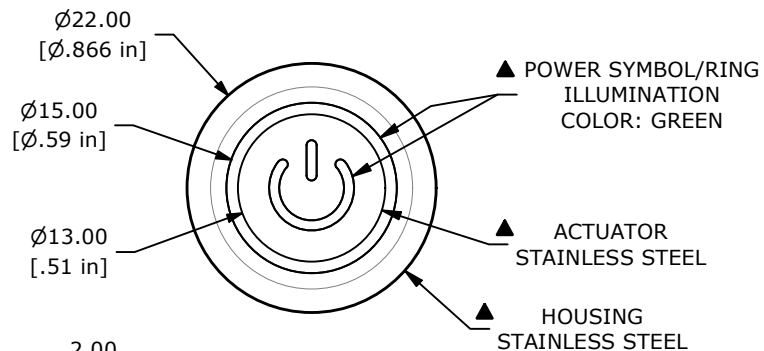
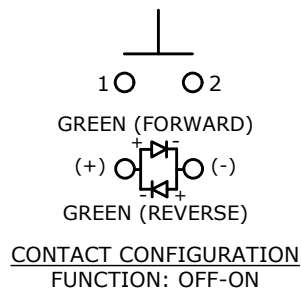


PANEL CUTOUT  
MAX. PANEL THICKNESS 6mm



SWITCH FUNCTION	
POS. 1	POS. 2
OFF	ON
OPEN	1-2



- NOTE:
- ALL DIMENSIONS IN MM [INCH]
  - GENERAL TOLERANCE: X.X = ±0.4  
X.XX = ±0.25
  - TERMINAL NUMBERS FOR REF ONLY
  - CONTACT MATERIAL: SILVER
  - RATING: 20A, 250VAC  
25A, 30VDC
  - ELECTRIC LIFE: 50,000 MAKE-AND-BREAK CYCLES AT FULL LOAD.
  - INSULATION RESISTANCE: 100MΩ @ 500VDC
  - DIELECTRIC STRENGTH: 1,500 VAC
  - CONTACT RESISTANCE: 100mΩ
  - OPERATING TEMP.: -40°C to 85°C
  - TRAVEL: 3.5mm
  - ▲ DENOTES CRITICAL PARAMETER.
  - LAMP VOLTAGE: 6V
  - ILLUMINATION COLOR: GREEN
  - INGRESS PROTECTION: IP67
  - HARDWARE SUPPLIED: O-RING AND HEXNUT

REV	ECO NO	DESCRIPTION	DATE	BY	E-SWITCH®			OBJECT ID	
B	ECO-103829	NOTE 13 - 6V WAS 3V	12/16/25	JS				100130363	
					TITLE PVHC4F23SS633				
THE INFORMATION CONTAINED IN THIS DOCUMENT IS PROPRIETARY TO E-SWITCH AND IS NOT TO BE COPIED OR TRANSFERRED					SCALE 3:2	DATE 5/22/2025	DR JS	DWG 52-PVHC4F23SS633	REV B