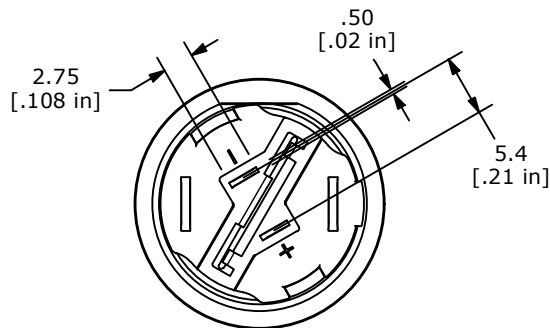
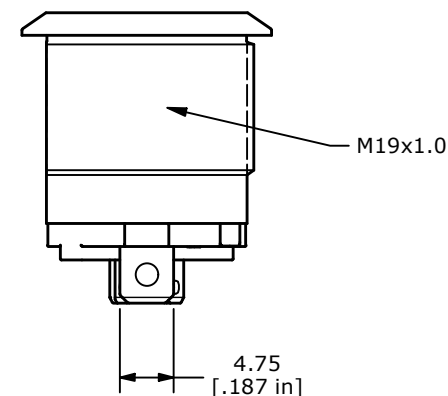
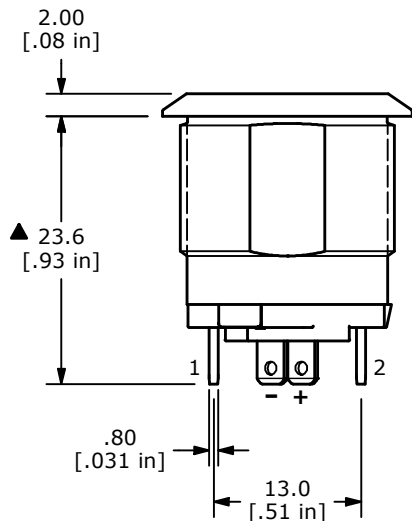
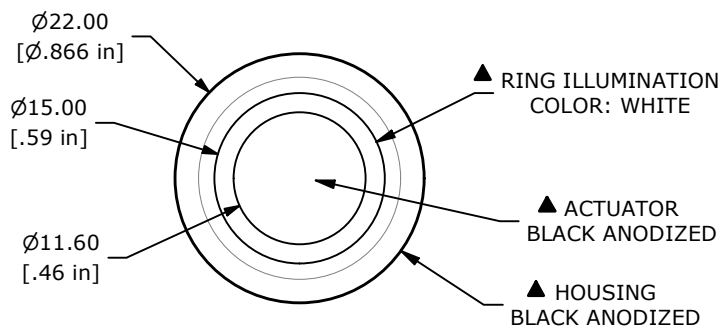
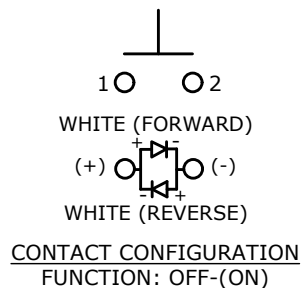


**PANEL CUTOUT**  
MAX. PANEL THICKNESS 6mm

SWITCH FUNCTION	
POS. 1	POS. 2
OFF	(ON)
OPEN	1-2



- NOTE:**
- ALL DIMENSIONS IN MM [INCH]
  - GENERAL TOLERANCE: X.X = ±0.4  
X.XX = ±0.25
  - TERMINAL NUMBERS FOR REF ONLY
  - CONTACT MATERIAL: SILVER
  - RATING: 20A/250VAC
  - ELECTRIC LIFE: 50,000 MAKE-AND-BREAK CYCLES AT FULL LOAD.
  - INSULATION RESISTANCE: 100MΩ @ 500VDC
  - DIELECTRIC STRENGTH: 1,500 VAC
  - CONTACT RESISTANCE: 100mΩ
  - OPERATING TEMP.: -40°C to 85°C
  - TRAVEL: 3.5mm
  - ▲ DENOTES CRITICAL PARAMETER.
  - LAMP VOLTAGE: 12V
  - ILLUMINATION COLOR: WHITE
  - INGRESS PROTECTION: IP67
  - HARDWARE SUPPLIED: O-RING AND HEXNUT

REV	ECO NO	DESCRIPTION	DATE	BY	E-SWITCH®			OBJECT ID
B	ECO-103529	PRINT UPDATE	07/15/25	JS				100130040
					TITLE PVHC4F2B11304			
					SCALE 3:2	DATE 4/2/2025	DR JS	DWG 52-PVHC4F2B11304
								REV B