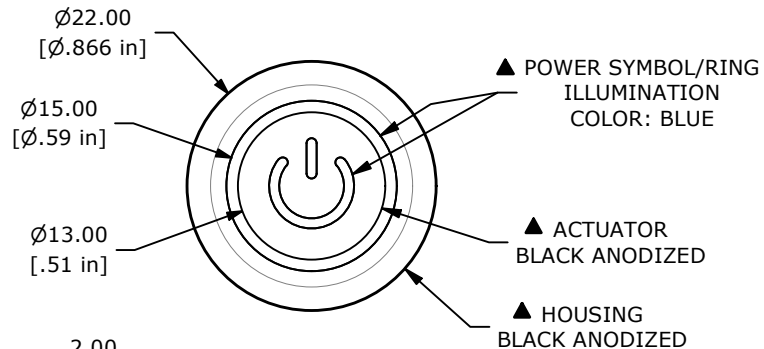
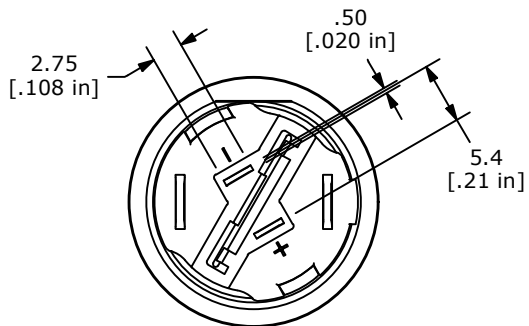
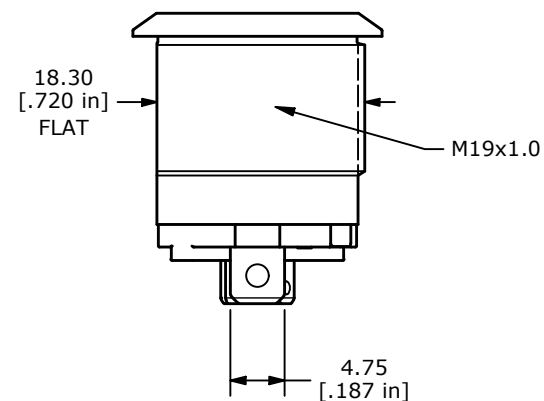
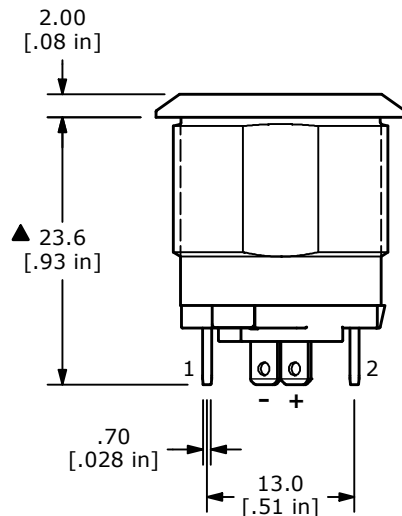
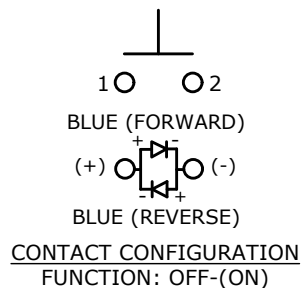


PANEL CUTOUT
MAX. PANEL THICKNESS 6mm



SWITCH FUNCTION	
POS. 1	POS. 2
OFF	(ON)
OPEN	1-2

(ON) = MOMENTARY



- NOTE:
- ALL DIMENSIONS IN MM [INCH]
 - GENERAL TOLERANCE: X.X = ±0.4
X.XX = ±0.25
 - TERMINAL NUMBERS FOR REF ONLY
 - CONTACT MATERIAL: SILVER
 - RATING: 20A/250VAC
 - ELECTRIC LIFE: 50,000 MAKE-AND-BREAK CYCLES AT FULL LOAD.
 - INSULATION RESISTANCE: 100MΩ @ 500VDC
 - DIELECTRIC STRENGTH: 1,500 VAC
 - CONTACT RESISTANCE: 100mΩ
 - OPERATING TEMP.: -40°C to 85°C
 - TRAVEL: 3.5mm
 - ▲ DENOTES CRITICAL PARAMETER.
 - LAMP VOLTAGE: 6V
 - ILLUMINATION COLOR: BLUE
 - INGRESS PROTECTION: IP67
 - HARDWARE SUPPLIED: O-RING AND HEXNUT

REV	ECO NO	DESCRIPTION	DATE	BY
A	ECO-102856	Release	07/17/24	MW



OBJECT ID
100127839

TITLE PVHC4F2B11643				
SCALE 3:2	DATE 7/12/2024	DR MW	DWG 52-PVHC4F2B11643	REV A