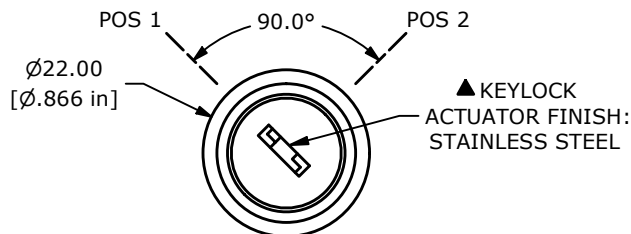
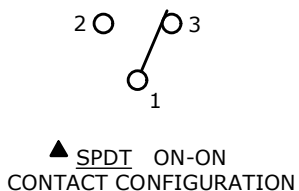


PANEL CUTOUT
MAX. PANEL THICKNESS
10.0mm [.43]

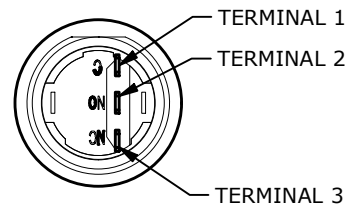
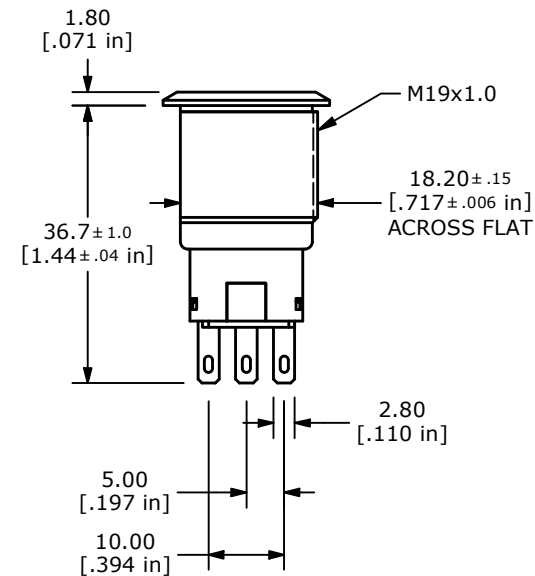
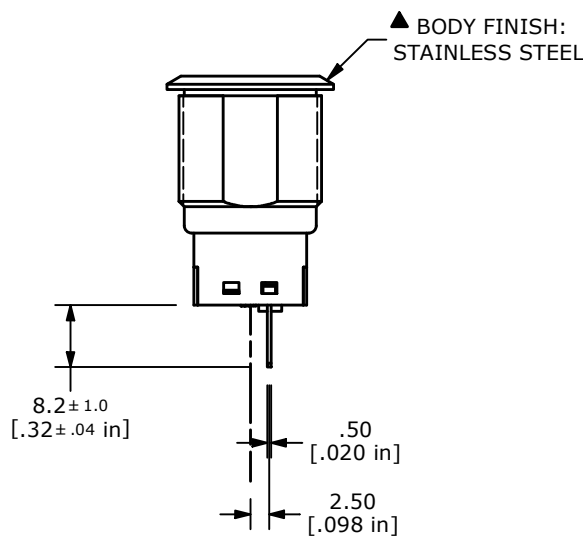


▲ SWITCH FUNCTION

| POS. 1 | POS. 2 |
|--------|--------|
| | |
| ON | ON |
| 1-3 | 1-2 |



- NOTE:
- ALL DIMENSIONS IN mm [INCH]
 - GENERAL TOLERANCE: X.X = ±0.4
X.XX = ±0.25
 - TERMINAL NUMBERS FOR REF ONLY
 - CONTACT MATERIAL: SILVER
 - RATING: 2A 24VDC
 - ELECTRIC LIFE: 50,000 MAKE-AND-BREAK CYCLES AT FULL LOAD.
 - INSULATION RESISTANCE: 1,000 MΩ MIN.
 - DIELECTRIC STRENGTH: 1,500 VAC MIN. FOR 1 MINUTE
 - CONTACT RESISTANCE: 50mΩ MAX. @ 1A 12VDC
 - OPERATING TEMP.: -20°C to 55°C
 - ▲ DENOTES CRITICAL PARAMETER.
 - INGRESS PROTECTION: IP40
 - HARDWARE SUPPLIED: KEY, O-RING, AND HEXNUT



| REV | ECO NO | DESCRIPTION | DATE | BY |
|-----|------------|--------------------------|----------|----|
| B | ECO-101460 | REMOVE + AND - LED STAMP | 11/29/22 | MR |
| A | ECO-101165 | NEW RELEASE | 09/06/22 | MR |



OBJECT ID
100122500

| | | | | | | |
|----------------------|--|--------------|------------------|-----------|-----------------------|----------|
| TITLE PVK4K21A0SS | | SCALE 1:1 | DATE 9/6/2022 | DR MJR | DWG 52-PVK4K21A0SS | REV B |
|----------------------|--|--------------|------------------|-----------|-----------------------|----------|