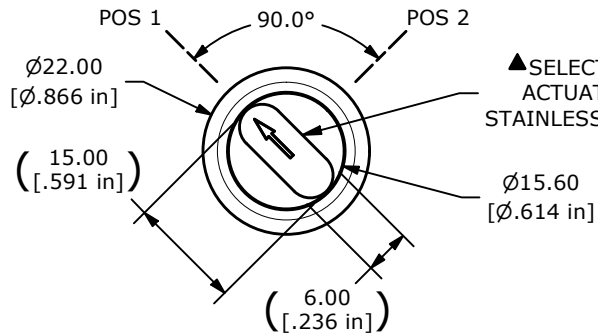


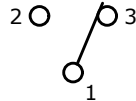
PANEL CUTOUT
MAX. PANEL THICKNESS
10.0mm [.43]



▲SELECTOR
ACTUATOR:
STAINLESS STEEL

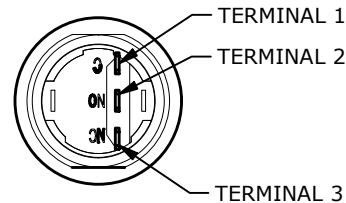
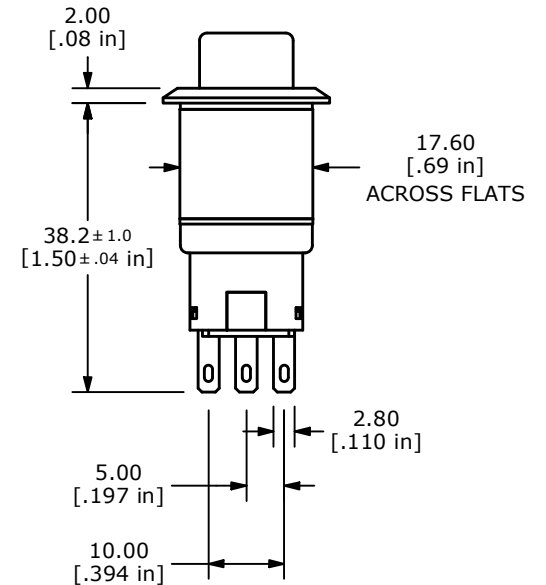
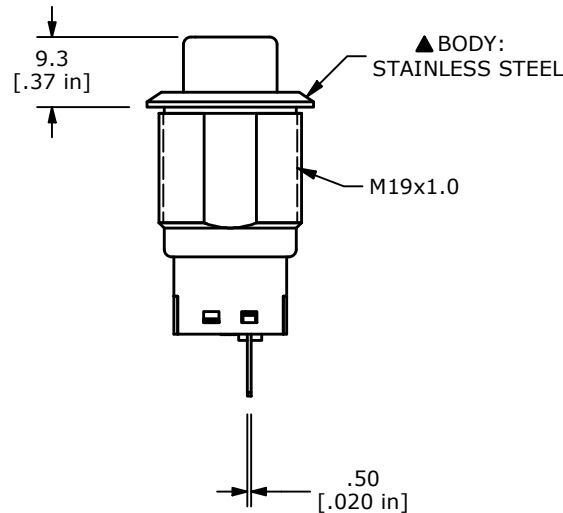


SWITCH FUNCTION	
POS. 1	POS. 2
ON	(ON)
1-3	1-2



▲ SPDT ON-(ON)
CONTACT CONFIGURATION

() DENOTES MOMENTARY



- NOTE:
- ALL DIMENSIONS IN mm [INCH]
 - GENERAL TOLERANCE: X.X = ±0.4
X.XX = ±0.25
 - TERMINAL NUMBERS FOR REF ONLY
 - CONTACT MATERIAL: SILVER
 - RATING: 2A 24VDC
 - ELECTRIC LIFE: 50,000 MAKE-AND-BREAK CYCLES AT FULL LOAD.
 - INSULATION RESISTANCE: 1,000 MΩ MIN.
 - DIELECTRIC STRENGTH: 1,500 VAC MIN. FOR 1 MINUTE
 - CONTACT RESISTANCE: 50mΩ MAX. @ 1A 12VDC
 - OPERATING TEMP.: -40 to 85°C
 - ▲ DENOTES CRITICAL PARAMETER.
 - ▲12. INGRESS PROTECTION: IP40
 - ▲13. HARDWARE SUPPLIED: O-RING AND HEXNUT

REV	ECO NO	DESCRIPTION	DATE	BY					OBJECT ID
F	ECO-103981	IP40 WAS IP65	03/16/26	JS	TITLE PVK4S21B0SS				100122495
THE INFORMATION CONTAINED IN THIS DOCUMENT IS PROPRIETARY TO E-SWITCH AND IS NOT TO BE COPIED OR TRANSFERRED					SCALE	DATE	DR	DWG	REV
					1:1	7/29/2022	MJR	52-PVK4S21B0SS	F