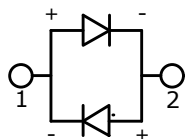
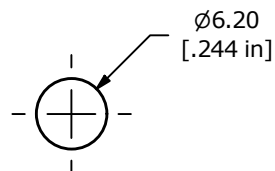
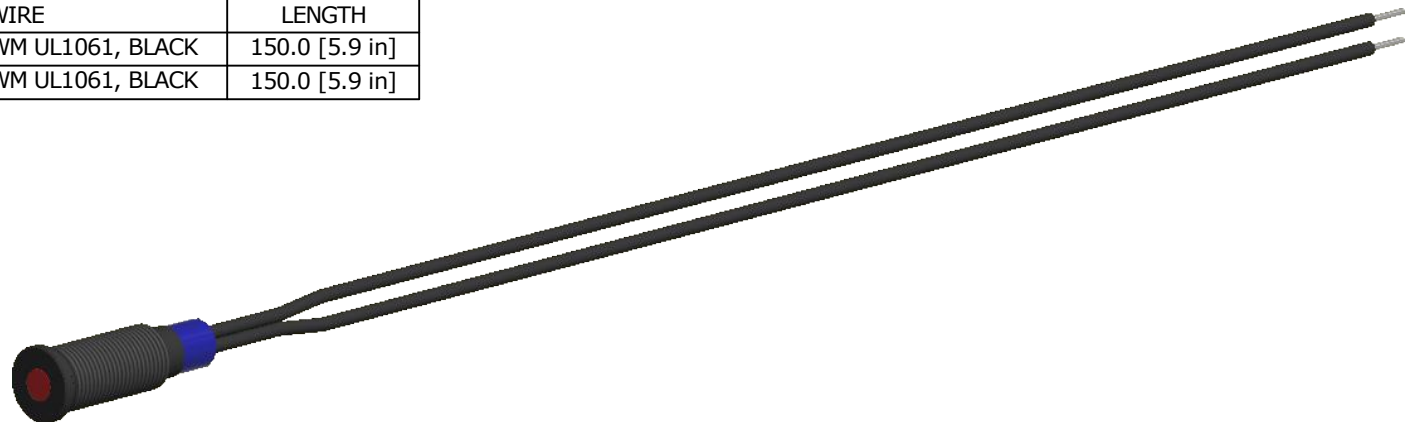


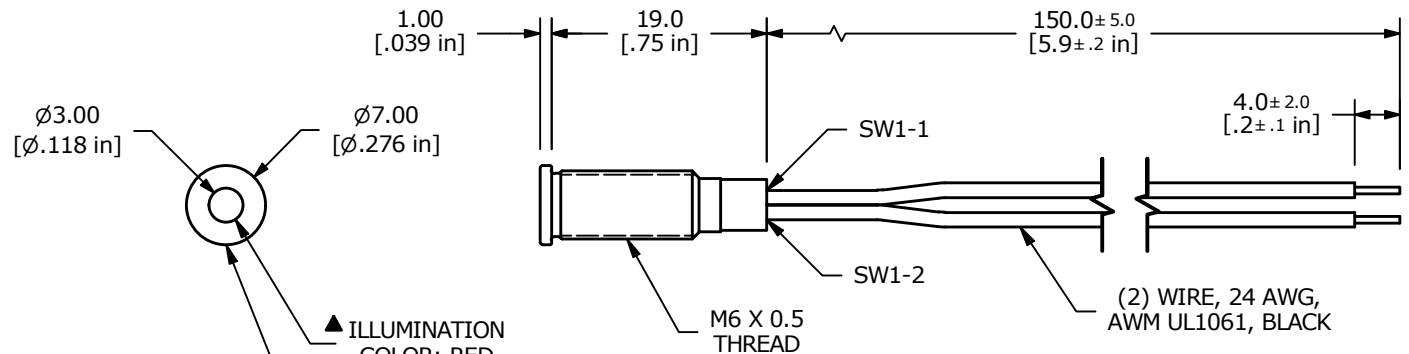
ADAPTER	WIRE	LENGTH
SW1-1	WIRE, 24 AWG AWM UL1061, BLACK	150.0 [5.9 in]
SW1-2	WIRE, 24 AWG AWM UL1061, BLACK	150.0 [5.9 in]



LED SCHEMATIC



MAX. PANEL THICKNESS 6.0 [.24 in]



▲ ILLUMINATION COLOR: RED  
▲ BODY FINISH: BLACK ANODIZED

- NOTE:
1. ALL DIMENSIONS IN MM [INCH]
  2. GENERAL TOLERANCE: X.X = ±0.4  
X.XX = ±0.25
  3. TERMINAL NUMBERS FOR REF ONLY
  4. OPERATING TEMP: -25°C to 55°C
  5. CURRENT RATING: 2mA-20mA
  - ▲ 6. LAMP VOLTAGE: 1.8V
  7. IP RATING: IP67
  8. ▲ DENOTES CRITICAL PARAMETER.
  9. HARDWARE SUPPLIED: O-RING AND HEXNUT

REV	ECO NO	DESCRIPTION	DATE	BY
A	ECO-101991	RELEASE	06/02/23	JS



OBJECT ID  
100124863

TITLE PVL06FW111				
SCALE 3:2	DATE 6/1/2023	DR JS	DWG 52-PVL06FW111	REV A