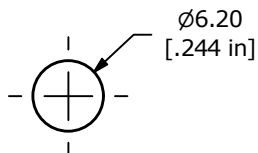
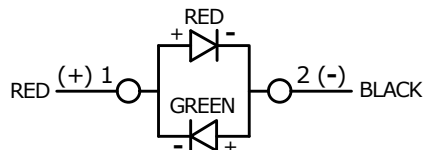
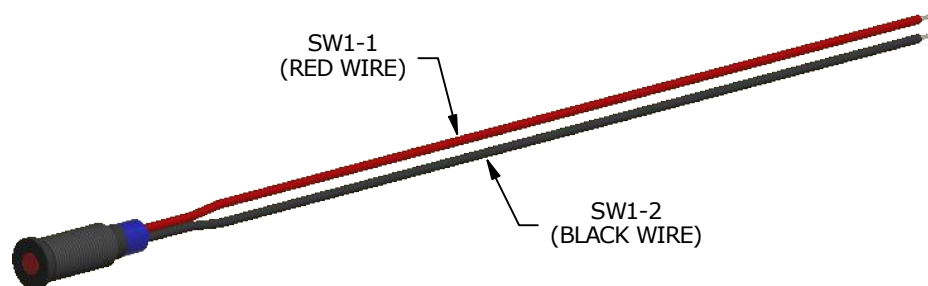


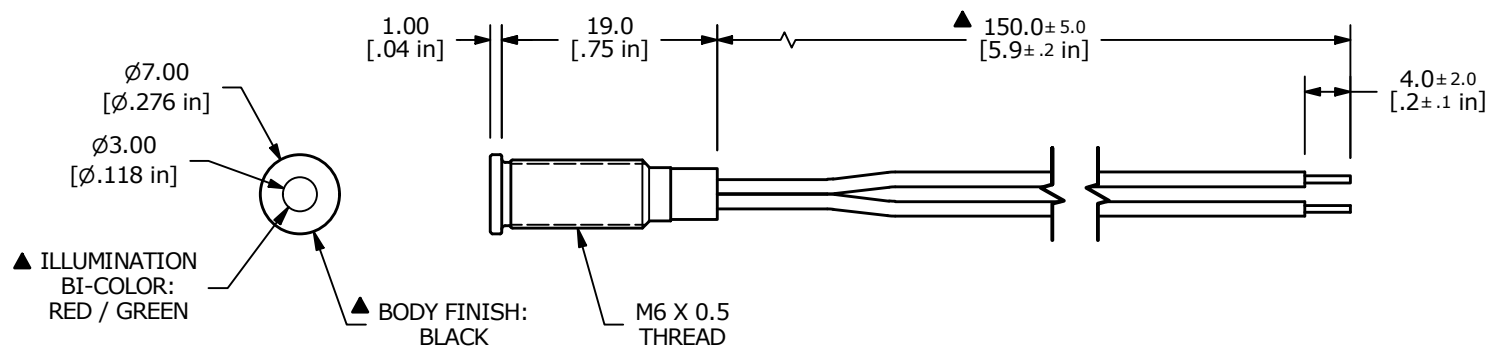
ADAPTER	WIRE	LENGTH
SW1-1 (-)	WIRE, 24 AWG AWM UL1061, RED	150.0 [5.9 in]
SW1-2 (+)	WIRE, 24 AWG AWM UL1061, BLACK	150.0 [5.9 in]



RECOMMENDED PANEL CUTOUT  
MAX. PANEL THICKNESS 6mm



LED SCHEMATIC



NOTE:

1. ALL DIMENSIONS IN MM [INCH]
2. GENERAL TOLERANCE: X.X = ±0.4  
X.XX = ±0.25
3. TERMINAL NUMBERS FOR REF ONLY
4. OPERATING TEMP: -25°C to 55°C
5. CURRENT RATING: 2mA-20mA
- ▲ 6. LAMP VOLTAGE: RED 1.8V, GREEN 2.8V
7. IP RATING: IP67
8. ▲ DENOTES CRITICAL PARAMETER.
9. HARDWARE SUPPLIED: O-RING AND HEXNUT



A	24690	RELEASE	1/19/21	MW
REV	PCR NO	DESCRIPTION	DATE	BY

E-SWITCH®				
TITLE PVL06FW1G1 (Red/Green LED)				
SCALE	DATE	DR	DWG	REV
3:2	1/19/2021	MW	52-PVL06FW1G1	A

THE INFORMATION CONTAINED IN THIS DOCUMENT IS PROPRIETARY TO E-SWITCH AND IS NOT TO BE COPIED OR TRANSFERRED