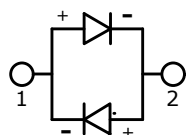
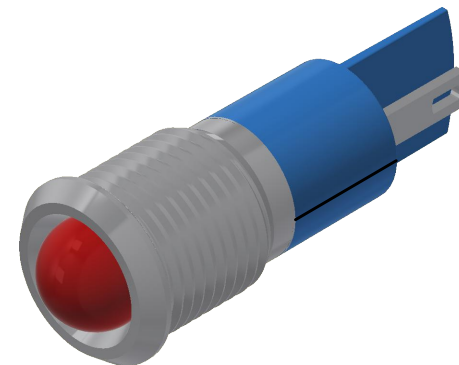
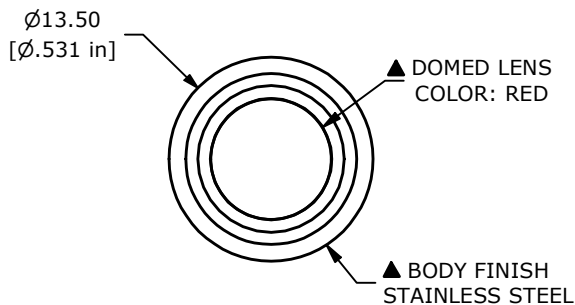
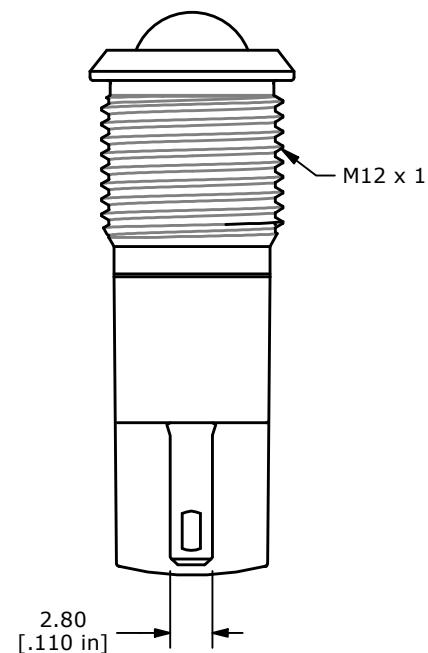
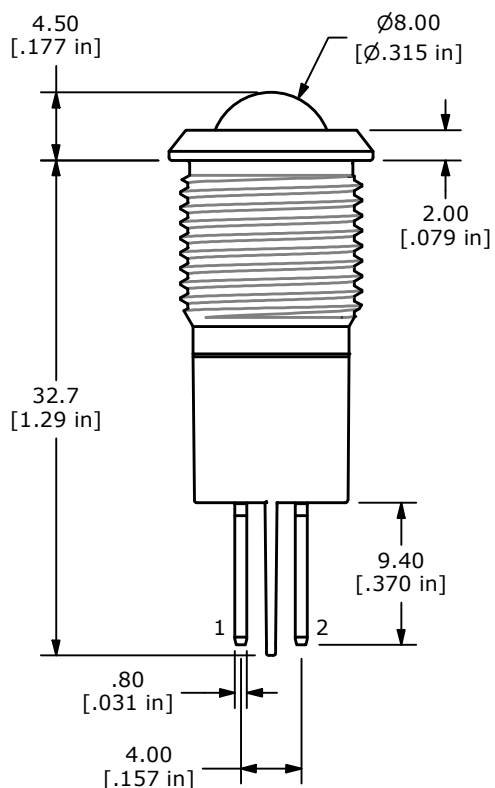


RECOMMENDED  
PANEL MOUNTING  
1-6mm THICKNESS



LED SCHEMATIC



- NOTE:
1. ALL DIMENSIONS IN MM [INCH]
  2. GENERAL TOLERANCE: X.X = ±0.4  
X.XX = ±0.25
  3. TERMINAL NUMBERS FOR REF ONLY
  4. OPERATING TEMP: -40°C to 85°C
  5. CURRENT RATING: 2mA-20mA
  - ▲ 6. LAMP VOLTAGE: 1.8V
  7. IP RATING: IP67
  8. ▲ DENOTES CRITICAL PARAMETER.
  9. HARDWARE SUPPLIED: O-RING AND HEXNUT

REV	ECO NO	DESCRIPTION	DATE	BY
A	ECO-103093	RELEASE	12/20/24	JS



OBJECT ID  
100128862

TITLE PVL12DLS11				
SCALE 2:1	DATE 11/18/2024	DR JS	DWG 52-PVL12DLS11	REV A