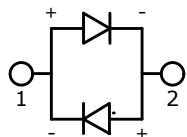
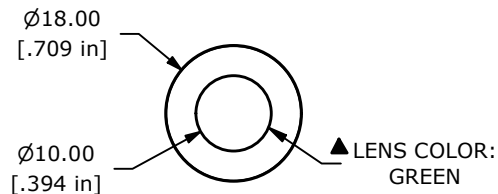
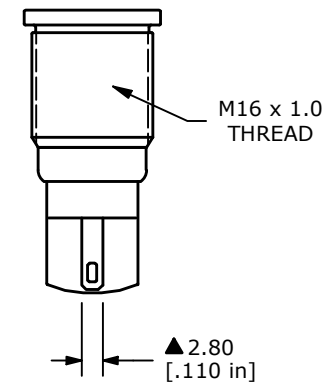
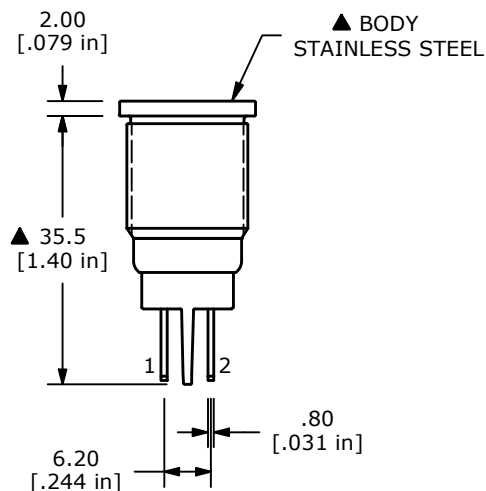


RECOMMENDED
PANEL MOUNTING
1-6mm THICKNESS




LED SCHEMATIC



NOTE:

1. ALL DIMENSIONS IN MM [INCH]
2. GENERAL TOLERANCE: X.X = ±0.4
X.XX = ±0.25
3. TERMINAL NUMBERS FOR REF ONLY
4. OPERATING TEMP: -40°C to 85°C
5. CURRENT RATING: 2mA-20mA
- ▲ 6. LAMP VOLTAGE: 12V
7. IP RATING: IP67
8. ▲ DENOTES CRITICAL PARAMETER.
9. HARDWARE SUPPLIED: O-RING AND HEXNUT

REV	ECO NO	DESCRIPTION	DATE	BY	 OBJECT ID				
C	ECO-103567	CORRECT PANEL DIM	07/31/25	JS	100127711				
					TITLE PVL16FLS34				
<small>THE INFORMATION CONTAINED IN THIS DOCUMENT IS PROPRIETARY TO E-SWITCH AND IS NOT TO BE COPIED OR TRANSFERRED</small>					SCALE	DATE	DR	DWG	REV
					1:1	6/20/2024	JS	52-PVL16FLS34	C