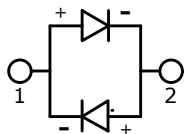
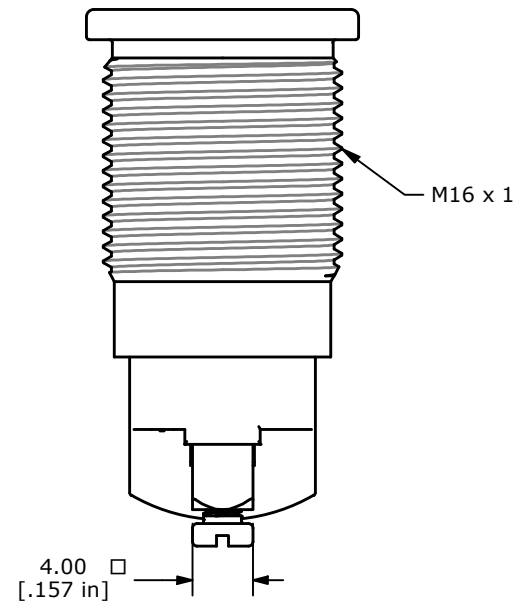
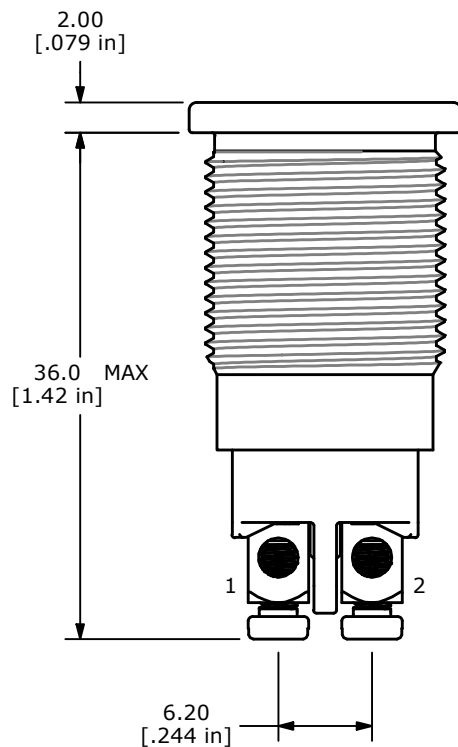
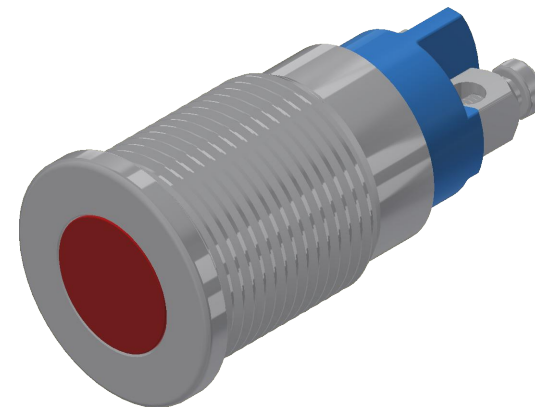
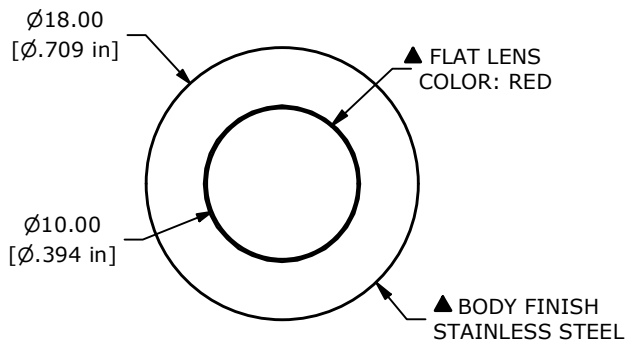


RECOMMENDED  
PANEL MOUNTING  
1-6mm THICKNESS



LED SCHEMATIC



- NOTE:
1. ALL DIMENSIONS IN MM [INCH]
  2. GENERAL TOLERANCE: X.X =  $\pm 0.4$   
X.XX =  $\pm 0.25$
  3. TERMINAL NUMBERS FOR REF ONLY
  4. OPERATING TEMP: -40°C to 85°C
  5. CURRENT RATING: 2mA-20mA
  - ▲ 6. LAMP VOLTAGE: 1.8V
  7. IP RATING: IP67
  8. ▲ DENOTES CRITICAL PARAMETER.
  9. HARDWARE SUPPLIED: O-RING AND HEXNUT

| REV | ECO NO     | DESCRIPTION | DATE     | BY |
|-----|------------|-------------|----------|----|
| A   | ECO-103098 | RELEASE     | 02/06/25 | JS |
|     |            |             |          |    |



OBJECT ID  
100128891

|                  |                    |          |                      |          |
|------------------|--------------------|----------|----------------------|----------|
| TITLE PVL16FSS11 |                    |          |                      |          |
| SCALE<br>2:1     | DATE<br>11/18/2024 | DR<br>JS | DWG<br>52-PVL16FSS11 | REV<br>A |