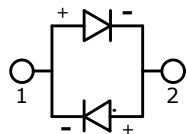
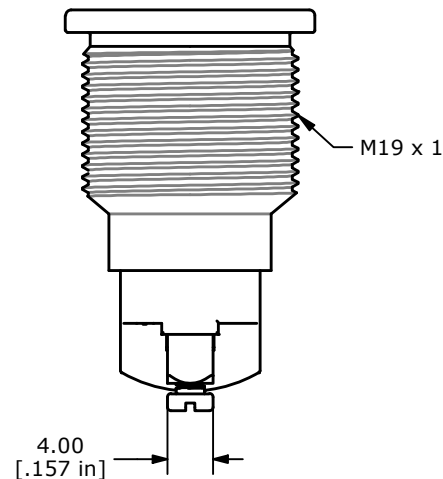
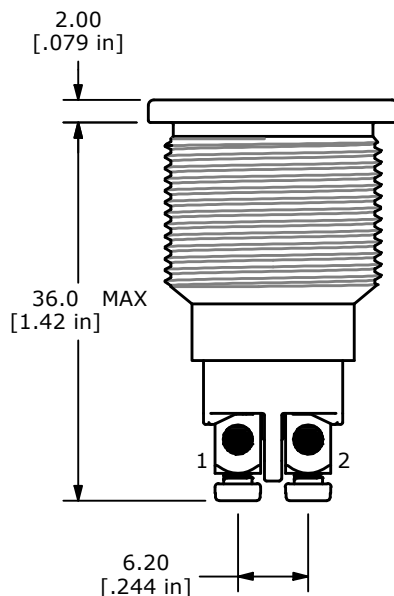
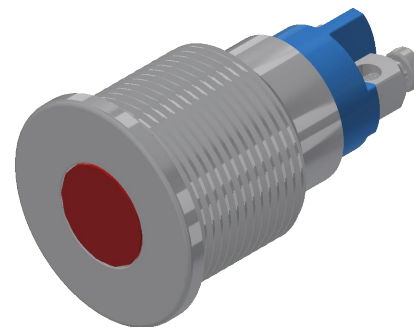
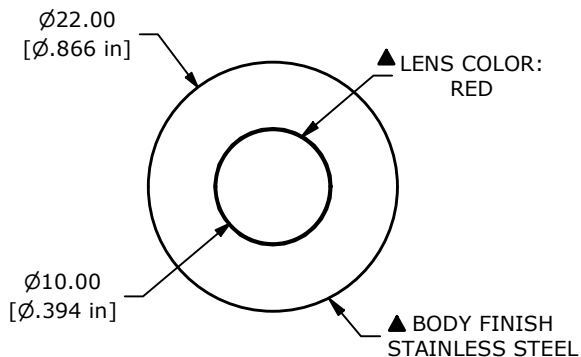


RECOMMENDED  
 PANEL MOUNTING  
 1-6mm THICKNESS



LED SCHEMATIC



NOTE:

1. ALL DIMENSIONS IN MM [INCH]
2. GENERAL TOLERANCE: X.X =  $\pm 0.4$   
 X.XX =  $\pm 0.25$
3. TERMINAL NUMBERS FOR REF ONLY
4. OPERATING TEMP:  $-40^{\circ}\text{C}$  to  $85^{\circ}\text{C}$
5. CURRENT RATING: 2mA-20mA
- ▲ 6. LAMP VOLTAGE: 1.8V
7. IP RATING: IP67
8. ▲ DENOTES CRITICAL PARAMETER.
9. HARDWARE SUPPLIED: O-RING AND HEXNUT

REV	ECO NO	DESCRIPTION	DATE	BY
A	ECO-103098	RELEASE	02/06/25	JS



OBJECT ID  
 100128900

TITLE PVL19FSS11				
SCALE 3:2	DATE 11/21/2024	DR JS	DWG 52-PVL19FSS11	REV A