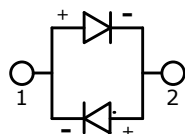
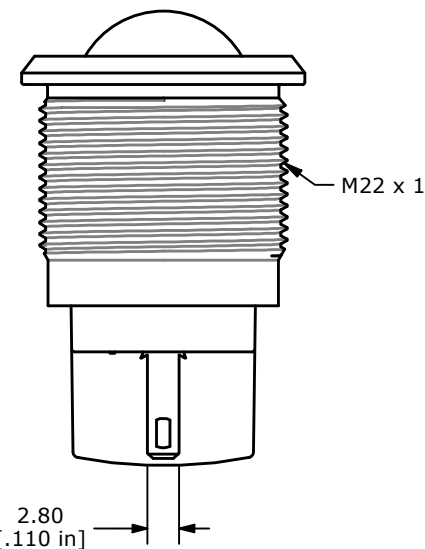
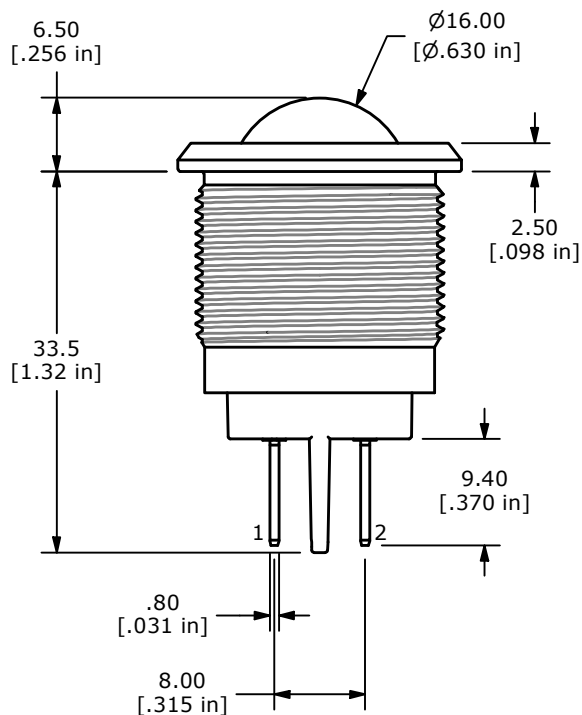
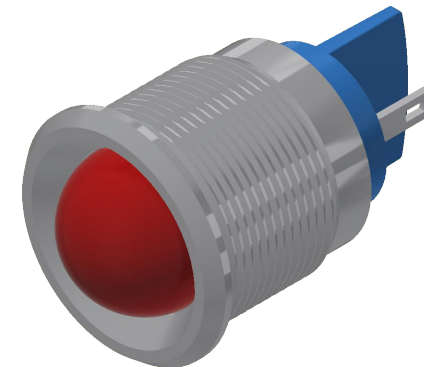
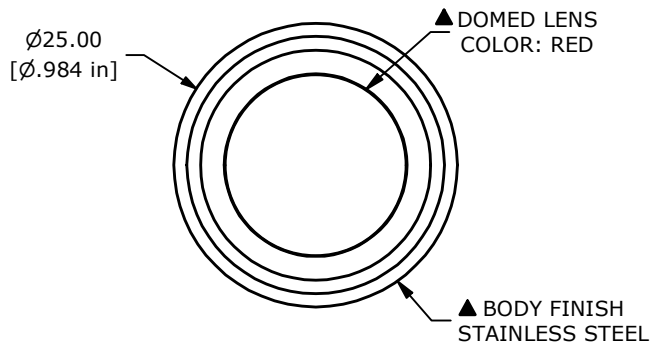


RECOMMENDED
 PANEL MOUNTING
 1-6mm THICKNESS



LED SCHEMATIC



- NOTE:
1. ALL DIMENSIONS IN MM [INCH]
 2. GENERAL TOLERANCE: X.X = ± 0.4
 X.XX = ± 0.25
 3. TERMINAL NUMBERS FOR REF ONLY
 4. OPERATING TEMP: -40°C to 85°C
 5. CURRENT RATING: 2mA-20mA
 - ▲ 6. LAMP VOLTAGE: 1.8V
 7. IP RATING: IP67
 8. ▲ DENOTES CRITICAL PARAMETER.
 9. HARDWARE SUPPLIED: O-RING AND HEXNUT

REV	ECO NO	DESCRIPTION	DATE	BY
A	ECO-103093	RELEASE	12/20/24	JS



OBJECT ID
 100128883

TITLE PVL22DLS11				
SCALE 3:2	DATE 11/18/2024	DR JS	DWG 52-PVL22DLS11	REV A

THE INFORMATION CONTAINED IN THIS DOCUMENT IS PROPRIETARY TO E-SWITCH AND IS NOT TO BE COPIED OR TRANSFERRED