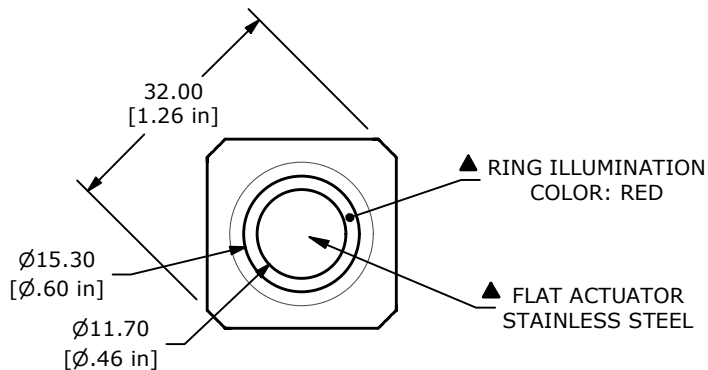
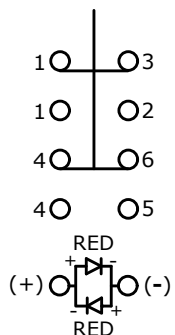


RECOMMENDED PANEL CUTOUT  
MAX. PANEL THICKNESS 12mm



SWITCH FUNCTION	
POS. 1	POS. 2
ON	(ON)
1-3, 4-6	1-2, 4-5

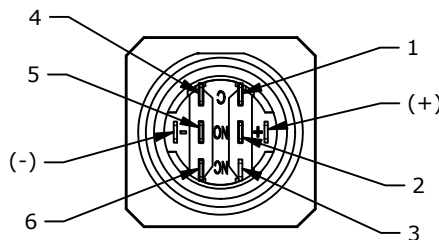
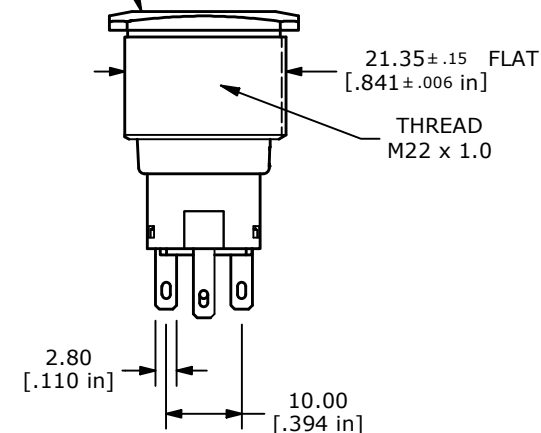
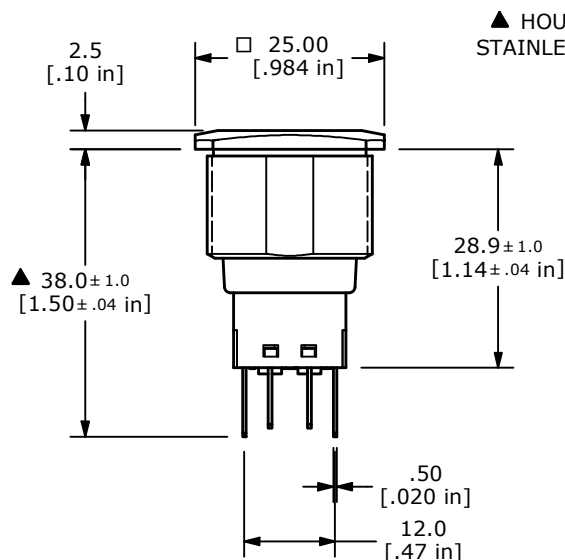
( ) = MOMENTARY



▲ DPDT  
CONTACT CONFIGURATION

NOTE:

1. ALL DIMENSIONS IN mm [INCH]
2. GENERAL TOLERANCE: X.X = ±0.4  
X.XX = ±0.25
3. TERMINAL NUMBERS FOR REF ONLY
- ▲ 4. CONTACT MATERIAL: SILVER
5. RATING: 2A 24VDC
6. ELECTRIC LIFE: 50,000 MAKE-AND-BREAK CYCLES AT FULL LOAD.
7. INSULATION RESISTANCE: 1,000 MΩ MIN.
8. DIELECTRIC STRENGTH: 2,000 VAC MIN. FOR 1 MINUTE
9. CONTACT RESISTANCE: 50mΩ MAX. @ 1A 12VDC
10. OPERATING TEMP.: -40°C to 85°C
11. TRAVEL: 2.8mm
12. ▲ DENOTES CRITICAL PARAMETER.
13. INGRESS PROTECTION: IP65
- ▲ 14. HARDWARE SUPPLIED: O-RING AND HEXNUT
- ▲ 15. LAMP VOLTAGE: 1.8V



REV	ECO NO	DESCRIPTION	DATE	BY
B	ECO-103537	PRINT UPDATE	07/21/25	JS



OBJECT ID  
000003321

TITLE PVS7F2HSS-311				
SCALE 1:1	DATE 4/11/2019	DR MW	DWG 52-PVS7F2HSS311	REV B