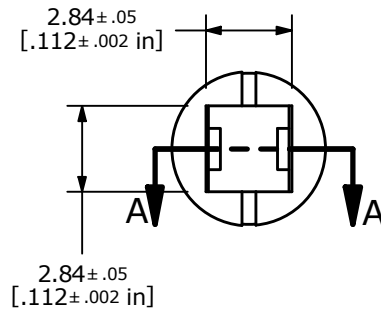



SECTION A-A



NOTES:

1. ALL DIMENSIONS IN MM [INCH]
2. GENERAL TOLERANCE: X.XX±0.15
- ▲ 3. MATERIAL: ABS, UL94V0
- ▲ 4. COLOR: RED, PANTONE 201C
5. ▲ DENOTES CRITICAL PARAMETER.

REV	ECO NO	DESCRIPTION	DATE	BY	 E-SWITCH®			OBJECT ID	
E	ECO-100958	UPDATED TO CURRENT STANDARDS	05/06/22	JS	TITLE 1RRED			000020946	
THE INFORMATION CONTAINED IN THIS DOCUMENT IS PROPRIETARY TO E-SWITCH AND IS NOT TO BE COPIED OR TRANSFERRED					SCALE 4:1	DATE 8/24/2005	DR PH	DWG Q800302	REV E