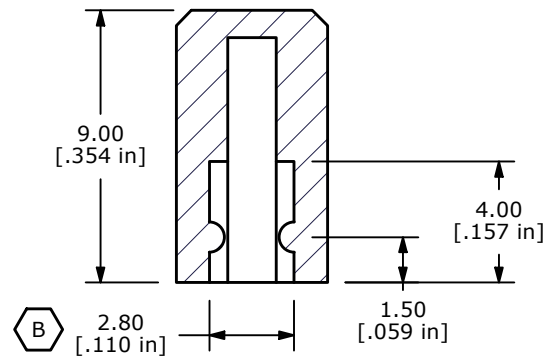
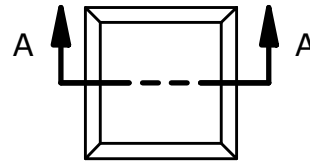
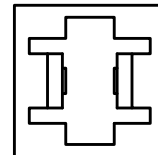


ISOMETRIC




SECTION A-A
SCALE 4 : 1



NOTES:

1. ALL DIMENSIONS IN MM [INCH]
2. GENERAL TOLERANCE: X.XX \pm 0.15
- ▲ 3. MATERIAL: ABS, UL94V0
- ▲ 4. COLOR: BLACK, PANTONE 3C
5. ▲ DENOTES CRITICAL PARAMETER.

C	15250	REVISED DESCRIPTION	9/8/05	PH		OBJECT ID 000020952			
B	14913	CHANGED NOTE	5/11/05	JB					
A	14823	RELEASED FOR PRODUCTION	4/13/05	AR	TITLE 1SBLK				
REV	PCR NO	DESCRIPTION	DATE	BY	SCALE 4:1	DATE 4/13/2005	DR AR	DWG Q800310	REV C
THE INFORMATION CONTAINED IN THIS DOCUMENT IS PROPRIETARY TO E-SWITCH AND IS NOT TO BE COPIED OR TRANSFERRED									