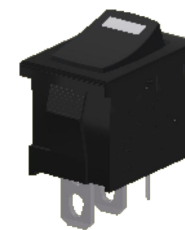
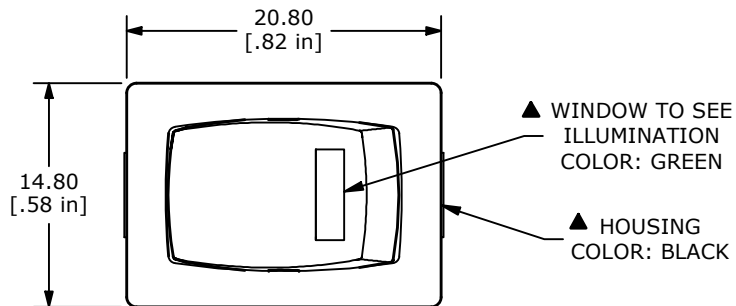
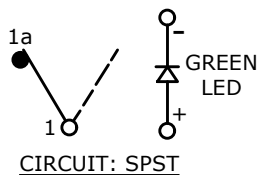


RECOMMENDED PANEL MOUNTING

PANEL THICKNESS	X
0.75-1.25	19.20-19.30
1.25-2.00	19.30-19.40
2.00-3.00	19.50-19.60

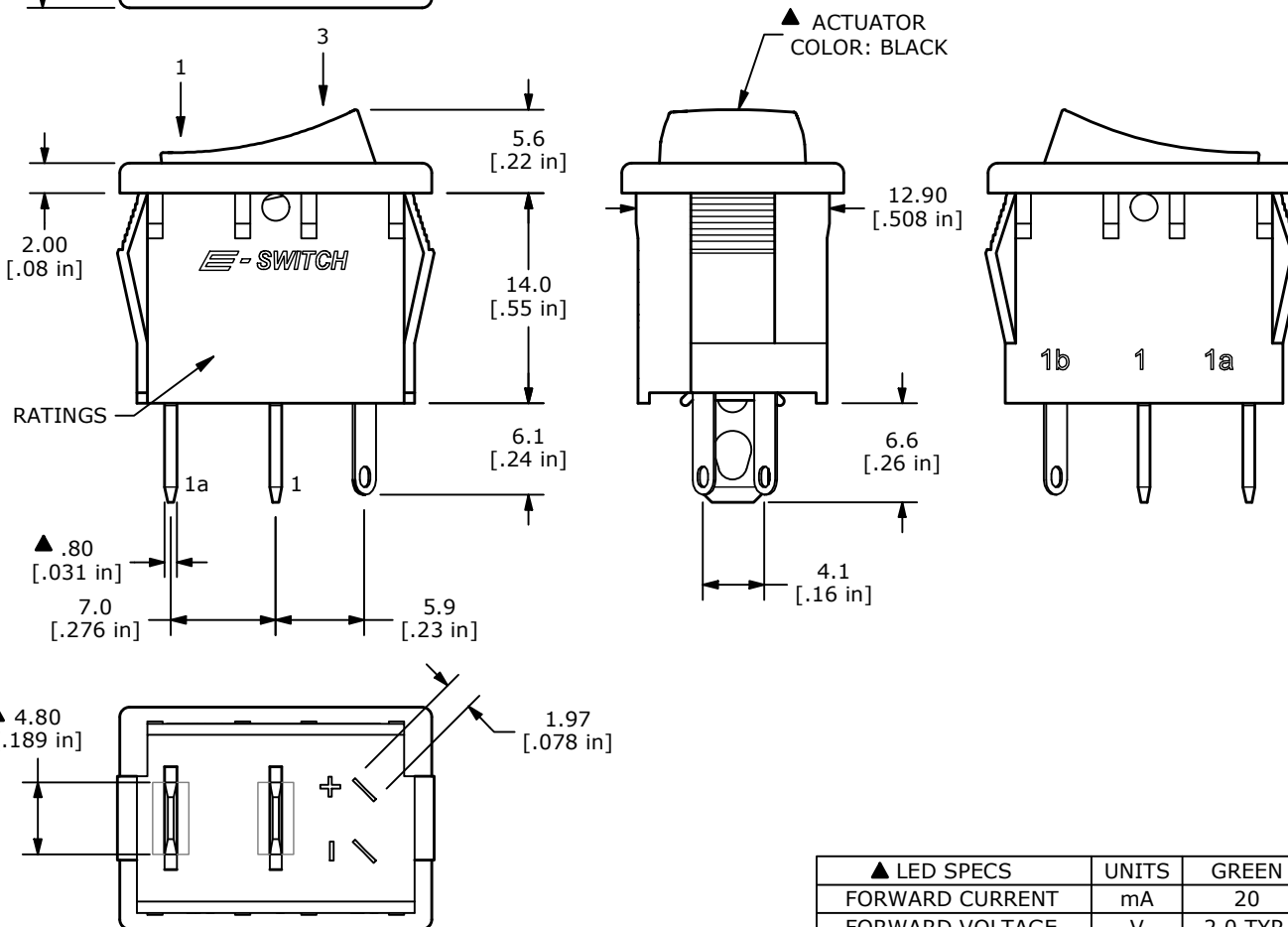


SWITCH FUNCTION	
POS. 1	POS. 3
OFF	ON
OPEN	1a - 1



NOTES:

1. ALL DIMENSIONS IN MM [INCH]
2. GENERAL TOLERANCE: X.X = ±0.4  
X.XX = ±0.25
3. TERM. NUMBERS FOR REF. ONLY
- ▲ 4. RATING: 15A @125VAC [cURus]  
10A @250VAC [cURus]  
6A @ 250V [VDE]
- ▲ 5. LAMP COLOR: GREEN LED
6. MATERIAL: CONTACT: COIN SILVER, SILVER PLATED  
TERMINAL: COPPER ALLOY W/SILVER PLATE
7. ELECTRICAL LIFE: 10,000 CYCLES
8. CONTACT RESISTANCE: <20 MILLI-OHMS INITIAL
9. DIELECTRIC STRENGTH: >1,500V AC 1 MIN
10. OPERATING TEMP.: -30°C to 80°C
11. ▲ DENOTES CRITICAL PARAMETER.



▲ LED SPECS	UNITS	GREEN
FORWARD CURRENT	mA	20
FORWARD VOLTAGE	V	2.0 TYP.
LUMINOUS INTENSITY	mcd	30 typ.

REV	ECO NO	DESCRIPTION	DATE	BY
D	ECO-103400	UPDATE NOTE 4	05/05/25	JS

		OBJECT ID 000016567
TITLE R1966ABLKBLKEFGRN		

SCALE 2:1	DATE 9/20/2001	DR CB	DWG M301101	REV D
--------------	-------------------	----------	----------------	----------