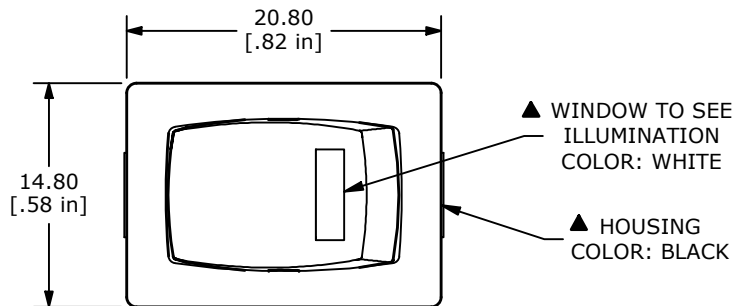
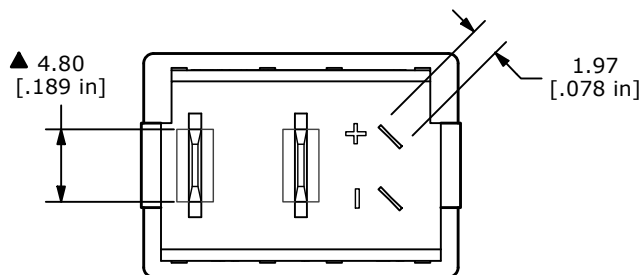
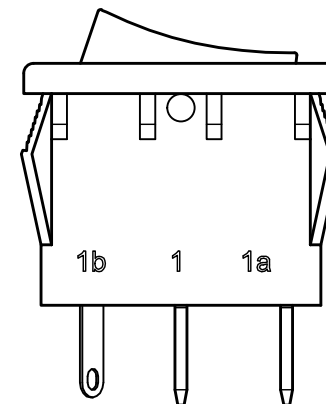
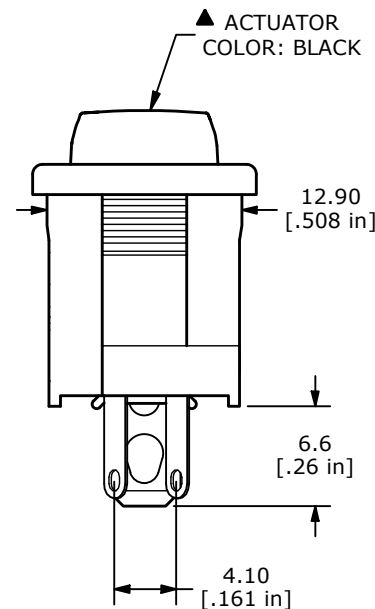
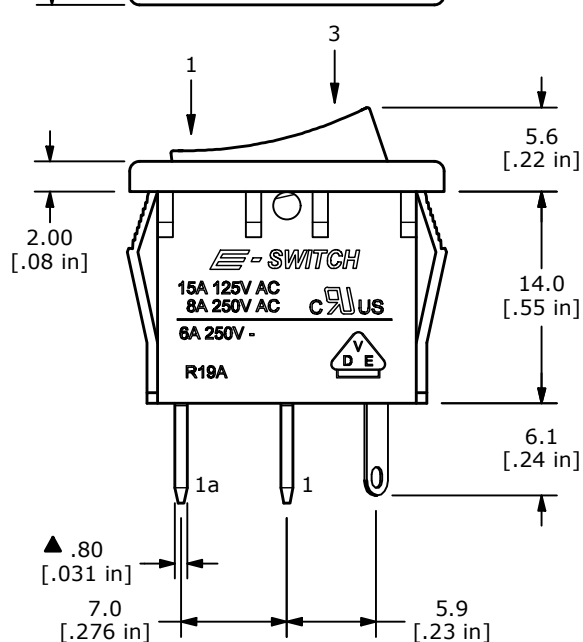
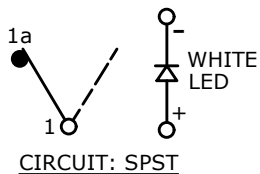


RECOMMENDED PANEL MOUNTING

PANEL THICKNESS	X
0.75-1.25	19.20-19.30
1.25-2.00	19.30-19.40
2.00-3.00	19.50-19.60



SWITCH FUNCTION	
POS. 1	POS. 3
OFF	ON
OPEN	1a - 1



NOTES:

- ALL DIMENSIONS IN MM [INCH]
- GENERAL TOLERANCE: X.X = ±0.4
X.XX = ±0.25
- TERM. NUMBERS FOR REF. ONLY
- RATING: 15A @125VAC; 10A @250VAC cURus
6A 250V VDE
- LAMP COLOR: WHITE LED
- TERMINALS/CONTACTS: SILVER PLATED
- ELECTRICAL LIFE: 10,000 CYCLES
- CONTACT RESISTANCE: <20 MILLI-OHMS INITIAL
- DIELECTRIC STRENGTH: >1,500V AC 1 MIN
- ▲ DENOTES CRITICAL PARAMETER.

REV	ECO NO	DESCRIPTION	DATE	BY
A	ECO-103009	Release	10/18/24	MW



OBJECT ID
100128486

TITLE R1966ABLKBLEFWHT				
SCALE	DATE	DR	DWG	REV
2:1	9/27/2024	MW	M301274	A