

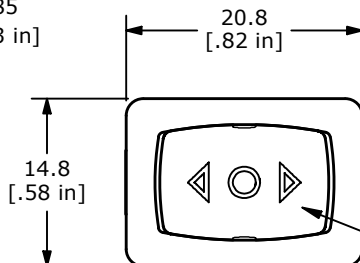
RECOMMENDED PANEL MOUNTING

PANEL THICKNESS	X
0.75-1.25mm	19.2-19.3mm
1.25-2.00mm	19.3-19.4mm
2.00-3.00mm	19.5-19.6mm



PC MOUNTING

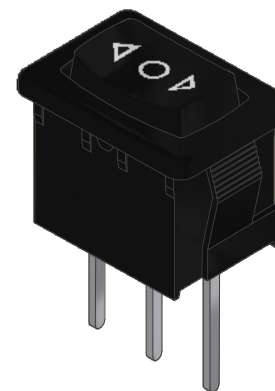
Ø1.85
[Ø.073 in]



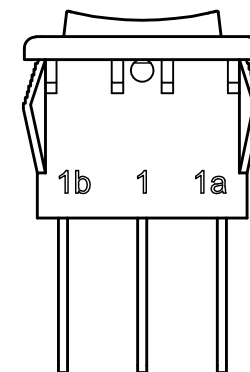
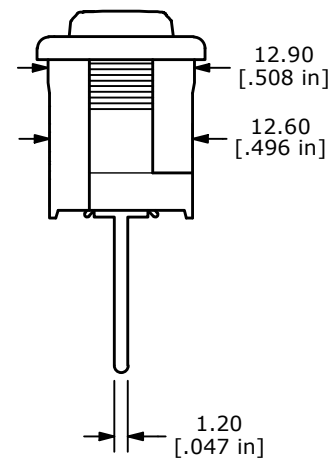
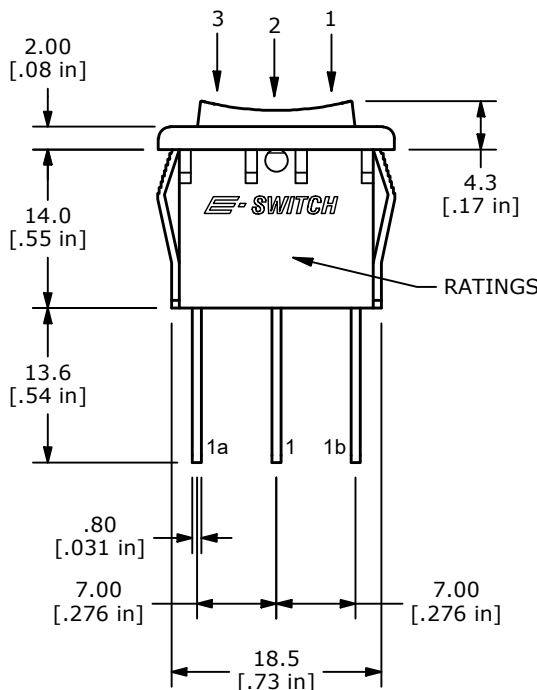
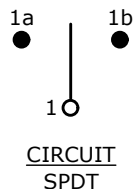
▲ HOUSING
COLOR: BLACK

▲ ACTUATOR
COLOR: BLACK
WITH

▲ MARKING
COLOR: WHITE



SWITCH FUNCTION		
POS. 1	POS. 2	POS. 3
ON	OFF	ON
1a-1	OPEN	1-1b



NOTES:

1. ALL DIMENSIONS IN MM [INCH]
2. GENERAL TOLERANCE: X.X = ±0.4
X.XX = ±0.25
3. TERM. NOS. FOR REF. ONLY
4. RATING: 15A @ 125VAC
8A @ 250VAC
- ▲ 5. LAMP VOLTAGE: NO LAMP
6. CONTACTS/TERMINALS: SILVER PLATED
7. ELECTRICAL LIFE: 10,000 CYCLES
8. CONTACT RESISTANCE: <20 MILLI-OHMS INITIAL
9. DIELECTRIC STRENGTH: >1,500V AC 1 MIN
10. ▲ DENOTES CRITICAL PARAMETER.

REV	ECO NO	DESCRIPTION	DATE	BY	OBJECT ID
A	ECO-103295	Release	03/25/25	MW	100129975
TITLE					R1966DBLKBLKHP
SCALE		DATE	DR	DWG	REV
3:2		3/24/2025	MW	M309344	A

THE INFORMATION CONTAINED IN THIS DOCUMENT IS PROPRIETARY TO E-SWITCH AND IS NOT TO BE COPIED OR TRANSFERRED