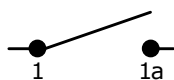


RECOMMENDED PANEL MOUNTING

PANEL THICKNESS	X
0.75-1.25	19.20-19.30
1.25-2.00	19.30-19.40
2.00-3.00	19.50-19.60

▲ SWITCH FUNCTION		
POS. 1	POS. 2	POS. 3
(ON)	NONE	OFF
1-1a	N/A	OPEN

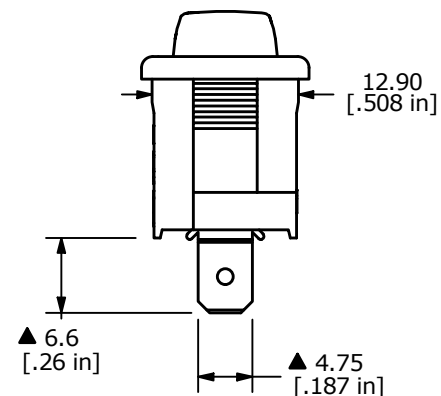
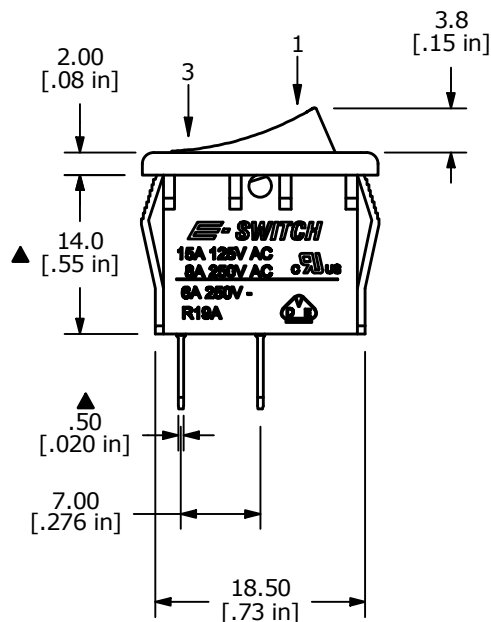
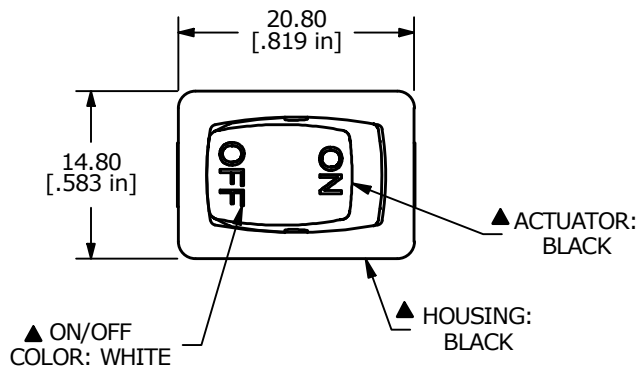
MOMENTARY (ON)



CIRCUIT: SPST

NOTES:

1. ALL DIMENSIONS IN MM [INCH]
2. GENERAL TOLERANCE: X.X=±0.4
X.XX=±0.25
3. TERM. NOS. FOR REF. ONLY
- ▲ 4. RATING: 15A @125VAC;
8A @250VAC.
5. LAMP VOLTAGE: NO LAMP
6. CONTACT MATERIAL: SILVER
7. ELECTRICAL LIFE: 10,000 CYCLES
8. CONTACT RESISTANCE: <20 mΩ INITIAL
9. DIELECTRIC STRENGTH: >1,500V AC 1 MIN
10. ▲ DENOTES CRITICAL PARAMETER.



REV	ECO NO	DESCRIPTION	DATE	BY
A	ECO-101666	RELEASE	02/15/23	JS



OBJECT ID
100123632

TITLE R1966FBLKBLKIG		SCALE 3:2	DATE 2/14/2023	DR JS	DWG M304214	REV A
-------------------------	--	--------------	-------------------	----------	----------------	----------

THE INFORMATION CONTAINED IN THIS DOCUMENT IS PROPRIETARY TO E-SWITCH AND IS NOT TO BE COPIED OR TRANSFERRED