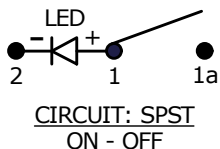


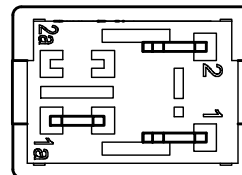
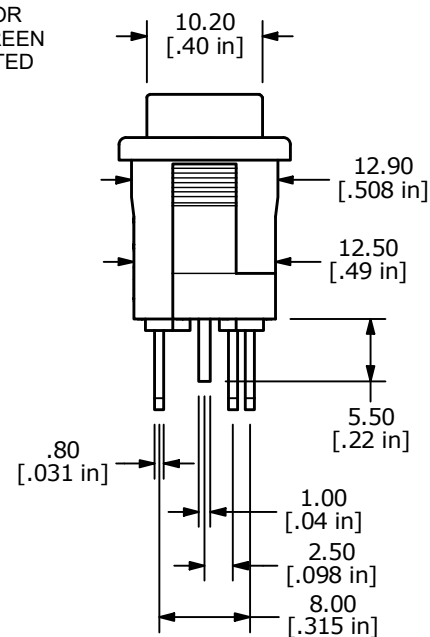
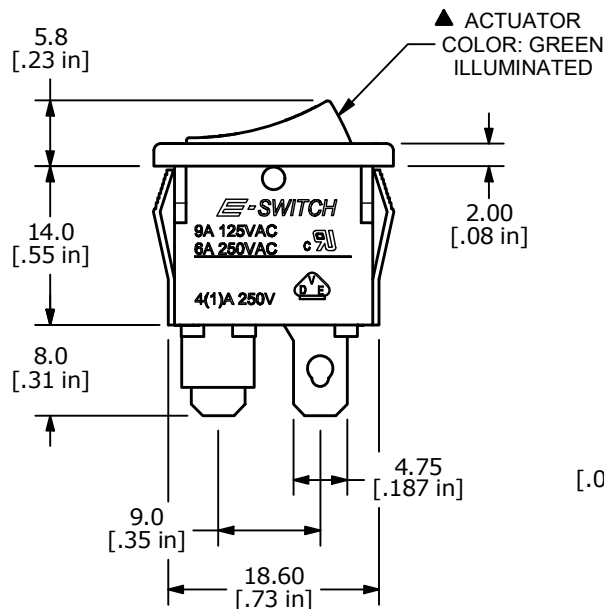
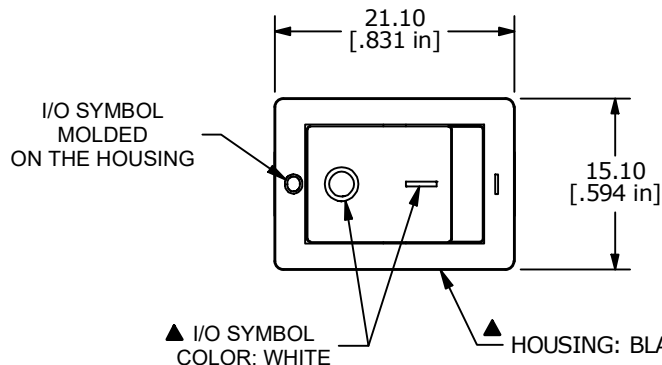
RECOMMENDED PANEL MOUNTING

| PANEL THICKNESS | X         |
|-----------------|-----------|
| 0.70-1.25       | 19.1-19.2 |
| 1.25-2.00       | 19.3-19.4 |
| 2.00-3.00       | 19.4-19.6 |



NOTES:

1. ALL DIMENSIONS IN MM [INCH]
2. GENERAL TOLERANCE: X.X = ±0.4  
X.XX = ±0.25
3. RATING: 6A @250VAC (cURus)  
9A @125VAC (cURus)  
4(1)A @250VAC (VDE)
- ▲ 4. LAMP VOLTAGE: 24VDC (LED)
5. MATERIAL:  
CONTACT SURFACE: COIN SILVER, SILVER PLATE  
TERMINAL: COPPER ALLOY W/SILVER PLATE.
6. CONTACT RESISTANCE: <20mΩ
7. INSULATION RESISTANCE: >1000MΩ
8. DIELECTRIC STRENGTH: >1500V RMS min. @SEA LEVEL
9. MECHANICAL LIFE: 30,000 CYCLES.
10. ELECTRICAL LIFE: 10,000 CYCLES
11. ▲ DENOTES CRITICAL PARAMETER.



|     |        |                                   |          |     |
|-----|--------|-----------------------------------|----------|-----|
| E   | 24415  | Incandescent Bulb to LED          | 7/23/20  | MW  |
| D   | 21030  | BLACK WAS GRAY                    | 2/13/13  | EBP |
| C   | 19981  | CONVERT TO INVENTOR CORRECT TITLE | 06/07/11 | BMA |
| REV | PCR NO | DESCRIPTION                       | DATE     | BY  |

THE INFORMATION CONTAINED IN THIS DOCUMENT IS PROPRIETARY TO E-SWITCH AND IS NOT TO BE COPIED OR TRANSFERRED



|                      |               |        |             |       |
|----------------------|---------------|--------|-------------|-------|
| TITLE R1973ABLKILFF4 |               |        |             |       |
| SCALE 1.5:1          | DATE 6/7/2011 | DR BMA | DWG M400052 | REV E |