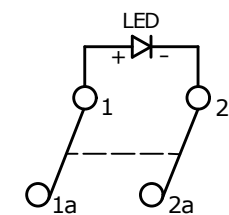


RECOMMENDED PANEL MOUNTING

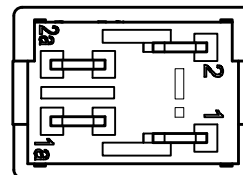
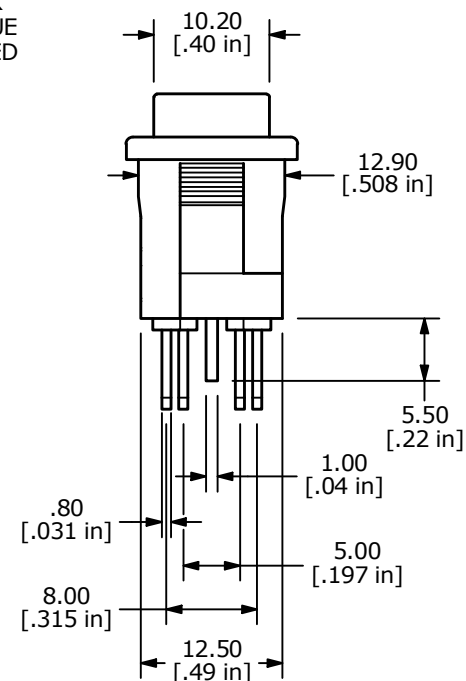
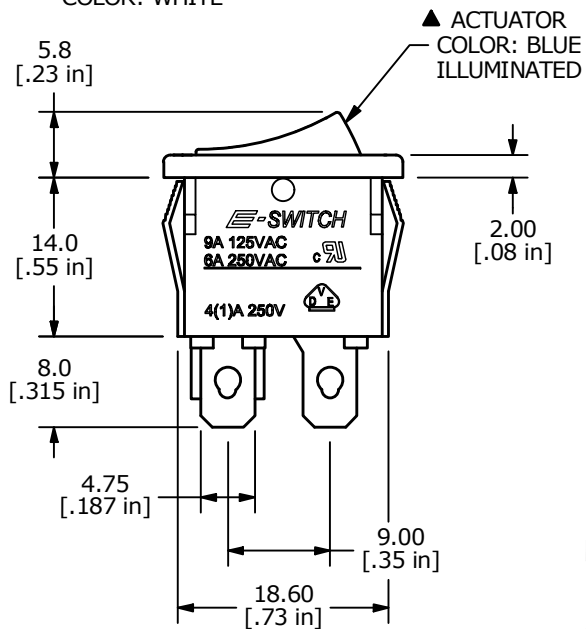
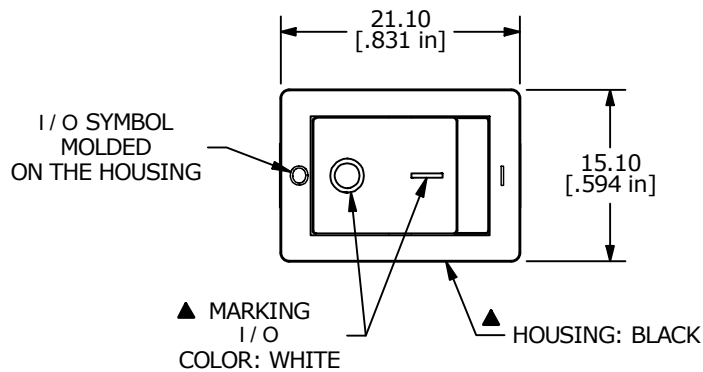
PANEL THICKNESS	X
0.70-1.25	19.1-19.2
1.25-2.00	19.3-19.4
2.00-3.00	19.5-19.6



▲ CIRCUIT: DPST
ON - OFF

NOTES:

1. ALL DIMENSIONS IN MM [INCH]
2. GENERAL TOLERANCE: X.X = ±0.4
X.XX = ±0.25
3. RATING: 6A @250VAC (cURus)
9A @125VAC (cURus)
4(1)A @250VAC (VDE)
- ▲ 4. LAMP VOLTAGE: 24VDC (LED)
5. MATERIAL:
CONTACT SURFACE: COIN SILVER, SILVER PLATE
TERMINAL: COPPER ALLOY W/SILVER PLATE.
6. CONTACT RESISTANCE: 20 MILLI-OHMS TYP. INITIAL
7. INSULATION RESISTANCE: 1000 MEGA-OHMS
8. DIELECTRIC STRENGTH: >1500V RMS min. @SEA LEVEL
9. MECHANICAL LIFE: 30,000 CYCLES.
10. ELECTRICAL LIFE: 10,000 CYCLES
11. ▲ DENOTES CRITICAL PARAMETER.



A	24694	RELEASE	1/25/21	MW
REV	PCR NO	DESCRIPTION	DATE	BY

TITLE R1973BBLKBLFF4				
SCALE 3:2	DATE 1/25/2021	DR MW	DWG M400136	REV A

THE INFORMATION CONTAINED IN THIS DOCUMENT IS PROPRIETARY TO E-SWITCH AND IS NOT TO BE COPIED OR TRANSFERRED