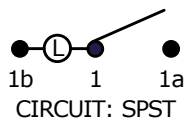


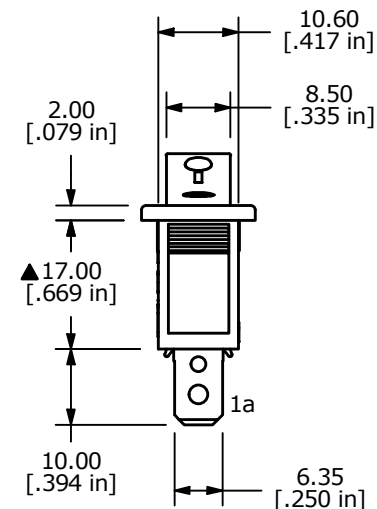
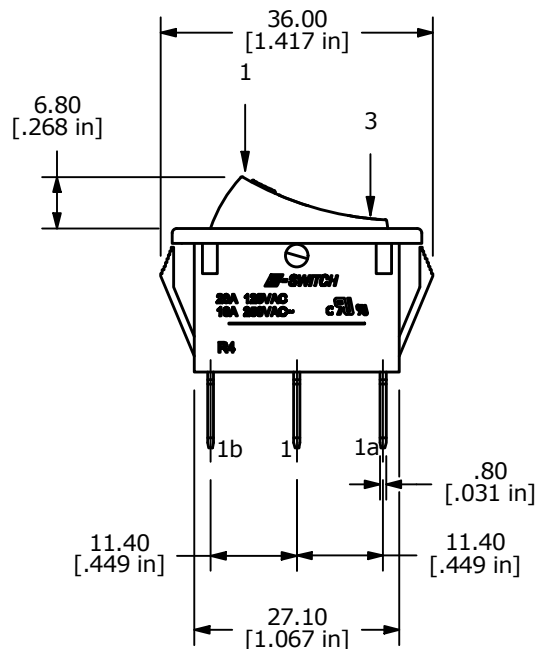
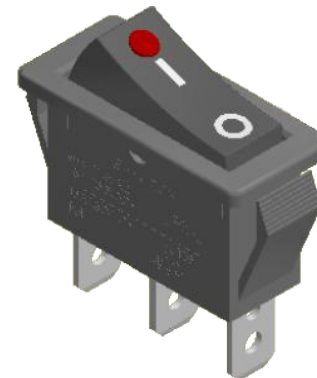
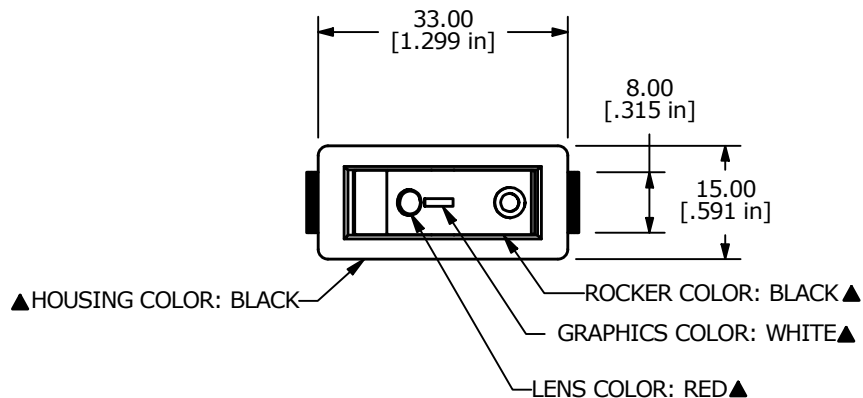
RECOMMENDED PANEL MOUNTING

PANEL THICKNESS	X± 0.05
0.75-1.25	29.6-29.7
1.25-2.00	30.1-30.2
2.00-3.00	30.45-30.55

SWITCH FUNCTION	
POS. 1	POS. 3
ON	OFF
1-1a	OPEN



- NOTES:
- ALL DIMENSIONS IN MM [INCH]
 - GENERAL TOLERANCE: X.X=± 0.4
X.XX=± 0.25
 - TERM. NOS. FOR REF. ONLY
 - ▲ 4. RATING: 20A 125VAC, 16A 250VAC UL APPROVED
 5. ELECTRICAL LIFE: OVER 10,000 CYCLES
 6. MECHANICAL LIFE: OVER 30,000 CYCLES
 7. CONTACT RESISTANCE: <20 mΩ(INITIAL)
 8. DIELECTRIC STRENGTH: >1500V 1 min
 9. INSULATION RESISTANCE: >1,000 mΩ @ 500V DC
 - ▲ 10. LAMP VOLTAGE: NEON 125V AC
 11. OPERATING TEMPERATURE: TERMINAL SIDE -20°C to 85°C
ROCKER SIDE -20°C to 55°C
 12. ▲ DENOTES CRITICAL PARAMETER



REV	ECO NO	DESCRIPTION	DATE	BY
E	ECO-100520	REMOVE VDE/ENEC RATING AND LOGO	02/03/22	JS



OBJECT ID
000016417

TITLE R4BBLKBLKREDF1		SCALE 1:1	DATE 4/4/2006	DR RC	DWG M040999	REV E
-------------------------	--	--------------	------------------	----------	----------------	----------