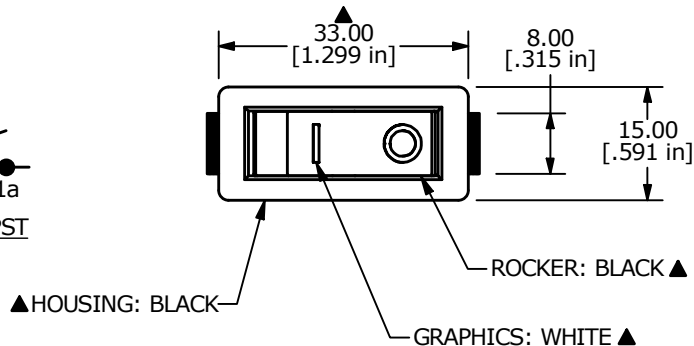
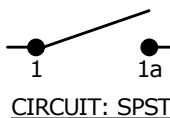


RECOMMENDED PANEL MOUNTING

PANEL THICKNESS	X± 0.05
0.75-1.25	29.65
1.25-2.00	30.15
2.00-3.00	30.50



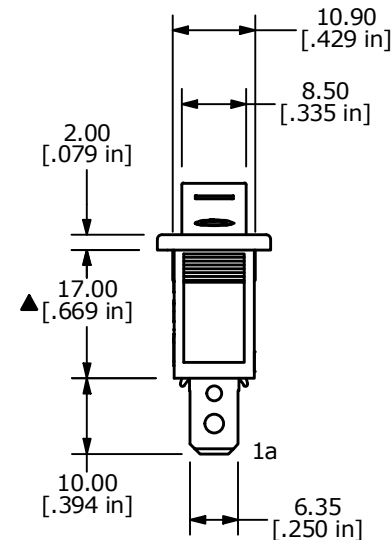
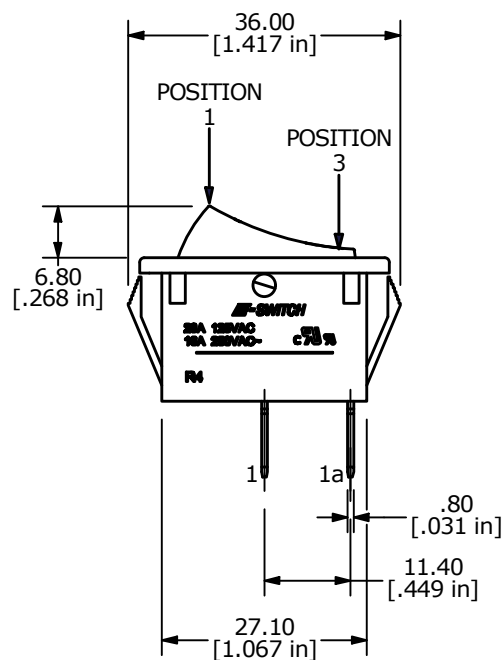
▲

SWITCH FUNCTION	
POS. 1	POS. 3
(ON)	OFF
1-1a	OPEN

(ON)=MOMENTARY

NOTES:

- ALL DIMENSIONS IN MM [INCH]
- GENERAL TOLERANCE: X.X± 0.4  
X.XX± 0.25
- TERM. NOS. FOR REF. ONLY
- ▲ RATING: 20A 125VAC, 16A 250VAC UL APPROVED
- ELECTRICAL LIFE: OVER 10,000 CYCLES
- MECHANICAL LIFE: OVER 30,000 CYCLES
- CONTACT RESISTANCE: <20 mΩ (INITIAL)
- DIELECTRIC STRENGTH: >1500V 1 min
- INSULATION RESISTANCE: >1,000 mΩ @ 500V DC
- OPERATING TEMPERATURE: TERMINAL SIDE -20°C to 85°C  
ROCKER SIDE -20°C to 55°C
- ▲ DENOTES CRITICAL PARAMETER



REV	ECO NO	DESCRIPTION	DATE	BY
G	ECO-100502	REMOVE VDE/ENEC RATING AND LOGO	01/28/22	JS



OBJECT ID  
000016391

TITLE R4FBLKBLKGF0				
SCALE 1:1	DATE 3/9/2006	DR RC	DWG M040129	REV G