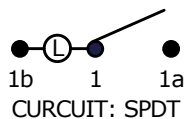


RECOMMENDED PANEL MOUNTING

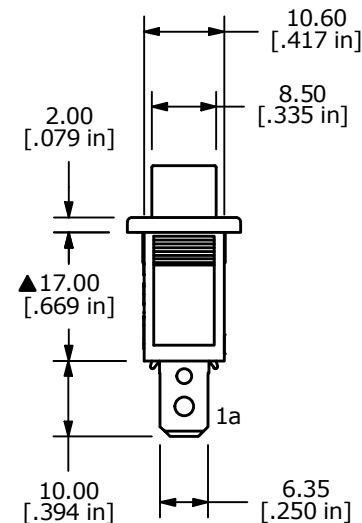
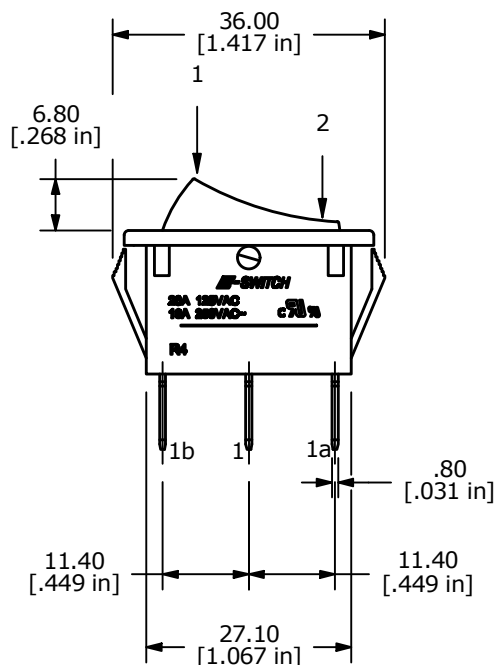
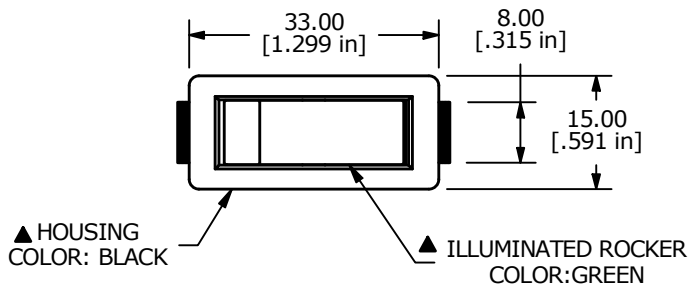
| PANEL THICKNESS | X± 0.05 |
|-----------------|-------------|
| 0.75-1.25 | 29.6-29.7 |
| 1.25-2.00 | 30.1-30.2 |
| 2.00-3.00 | 30.45-30.55 |

| SWITCH FUNCTION | |
|-----------------|--------|
| POS. 1 | POS. 2 |
| | |
| ON | OFF |
| 1-1a | OPEN |



NOTES:

1. ALL DIMENSIONS IN MM [INCH]
2. GENERAL TOLERANCE: X.X±0.4
X.XX±0.25
3. TERM. NOS. FOR REF. ONLY
- ▲ 4. RATING: 20A 125VAC, 16A 250VAC UL APPROVED
5. ELECTRICAL LIFE: OVER 10,000 CYCLES
6. MECHANICAL LIFE: OVER 30,000 CYCLES
7. CONTACT RESISTANCE: <20 mΩ(INITIAL)
8. DIELECTRIC STRENGTH: >1500V 1 min
9. INSULATION RESISTANCE: >1,000 mΩ @ 500V DC
- ▲ 10. LAMP VOLTAGE: NEON-250VAC
11. OPERATING TEMPERATURE: TERMINAL SIDE -20°C to 85°C
ROCKER SIDE -20°C to 55°C
12. ▲ DENOTES CRITICAL PARAMETER



| REV | ECO NO | DESCRIPTION | DATE | BY |
|-----|------------|---------------------------------|----------|----|
| D | ECO-100520 | REMOVE VDE/ENEC RATING AND LOGO | 02/03/22 | JS |



OBJECT ID
000016418

| | | | | | | |
|-----------------------|--|--------------|-------------------|----------|----------------|----------|
| TITLE R4JBLKGILEF2 | | SCALE 1:1 | DATE 2/20/2006 | DR PH | DWG M041000 | REV D |
|-----------------------|--|--------------|-------------------|----------|----------------|----------|