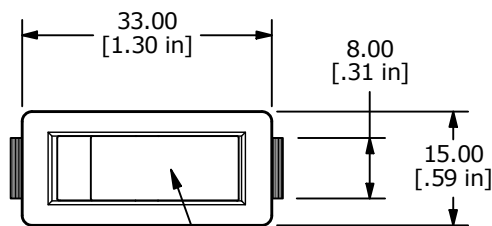
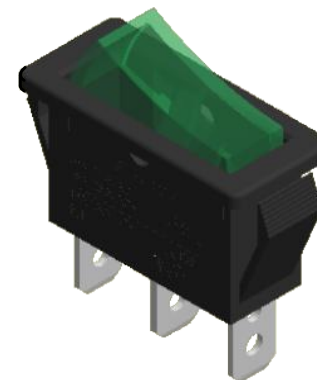


RECOMMENDED PANEL MOUNTING

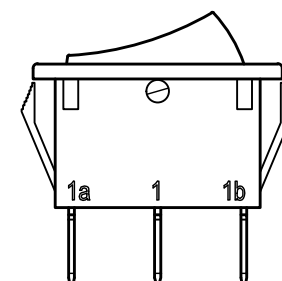
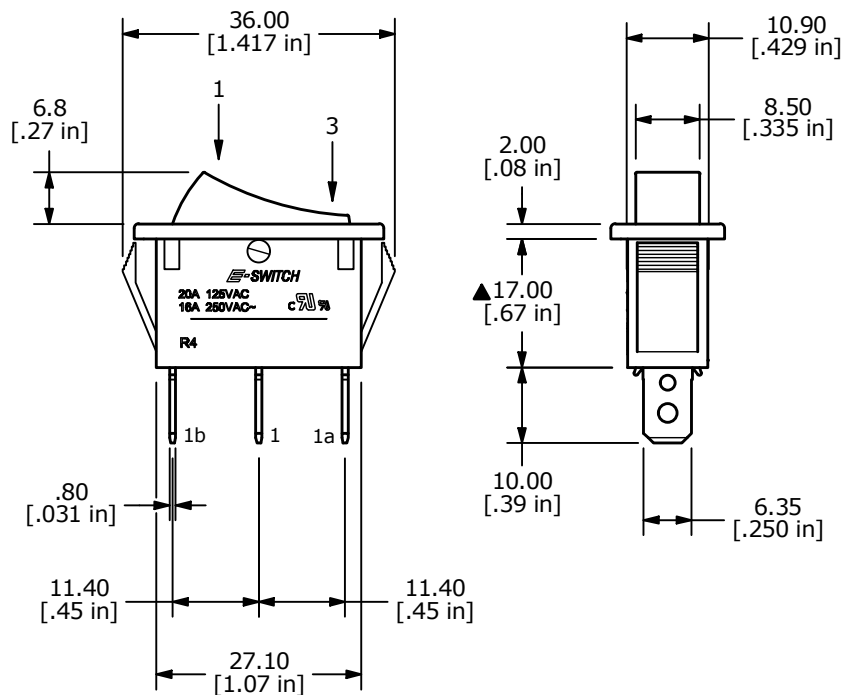
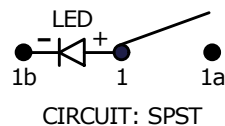
PANEL THICKNESS	X ± 0.05mm
0.75-1.25mm	29.65mm
1.25-2.00mm	30.15mm
2.00-3.00mm	30.50mm



▲ HOUSING COLOR: BLACK
▲ ILLUMINATED ROCKER COLOR: GREEN



SWITCH FUNCTION	
POS. 1	POS. 3
ON	OFF
1-1a	OPEN



NOTES:

1. ALL DIMENSIONS IN MM [INCH]
2. GENERAL TOLERANCE: X.X = ± 0.4
X.XX = ± 0.25
3. TERM. NUMBERS FOR REF. ONLY
- ▲ 4. RATING: 20A 125VAC, 16A 250VAC UL APPROVED
5. ELECTRICAL LIFE: OVER 10,000 CYCLES
6. MECHANICAL LIFE: OVER 30,000 CYCLES
7. CONTACT RESISTANCE: <20 mΩ(INITIAL)
8. DIELECTRIC STRENGTH: >1500V 1 min
9. INSULATION RESISTANCE: >1,000 mΩ @ 500V DC
10. LAMP VOLTAGE: LED 12VDC
- ▲ 11. OPERATING TEMPERATURE: TERMINAL SIDE -20°C to 85°C
ROCKER SIDE -20°C to 55°C
12. ▲ DENOTES CRITICAL PARAMETER

REV	ECO NO	DESCRIPTION	DATE	BY	E-SWITCH®			OBJECT ID
D	ECO-100524	REMOVE VDE/ENEC RATING AND LOGO	02/03/22	JS				000016423
					TITLE R4JBLKGILEF3			
					SCALE 1:1	DATE 1/31/2007	DR TN	DWG M041005
								REV D

THE INFORMATION CONTAINED IN THIS DOCUMENT IS PROPRIETARY TO E-SWITCH AND IS NOT TO BE COPIED OR TRANSFERRED