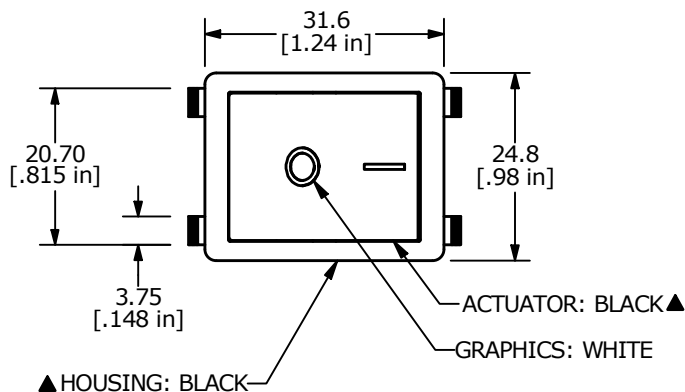
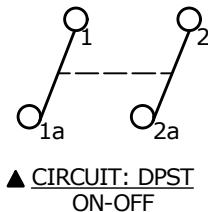


| PANEL THICKNESS | X        |
|-----------------|----------|
| 0.70-1.25       | 30.1±0.1 |
| 1.25-2.00       | 30.3±0.1 |
| 2.00-3.00       | 30.7±0.1 |

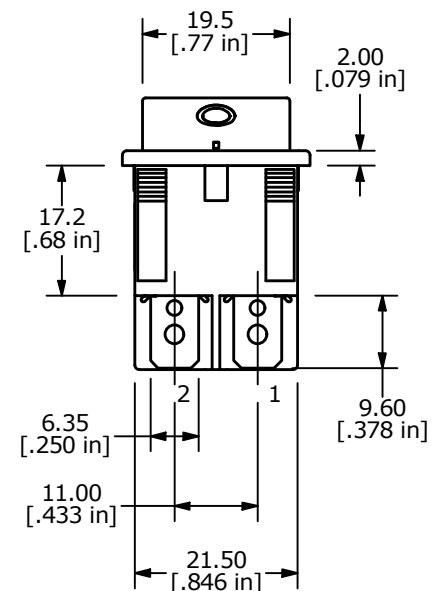
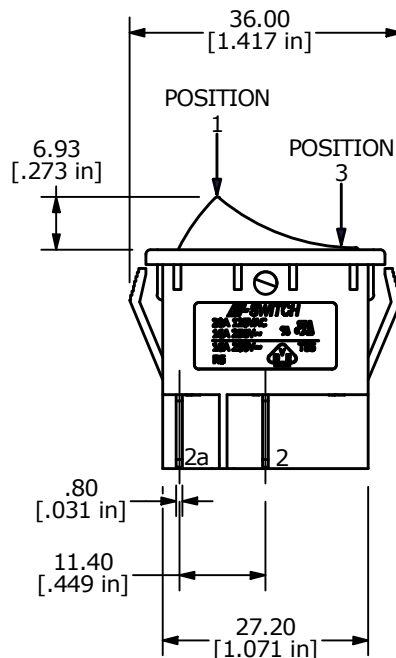
RECOMMENDED PANEL MOUNTING



| SWITCH FUNCTION |        |            |
|-----------------|--------|------------|
| POS. 1          | POS. 2 | POS. 3     |
|                 |        |            |
| OFF             | NONE   | ON         |
| OPEN            | N/A    | 1-1a, 2-2a |



- NOTES:
1. ALL DIMENSIONS IN MM [INCH]
  2. GENERAL TOLERANCE: X.X=±0.4  
X.XX=±0.25
  3. TERM. NOS. FOR REF. ONLY
  - ▲ 4. RATING: 20A @125VAC 3/4 HP UL APPROVED  
16A @250VAC 1 HP UL APPROVED
  5. ELECTRICAL LIFE: 10,000 CYCLES
  6. MECHANICAL LIFE: 30,000 CYCLES
  7. CONTACT RESISTANCE: <20 MILLI-OHMS INITIAL
  8. DIELECTRIC STRENGTH: >1,500V AC 1MIN
  9. INSULATION RESISTANCE: >1000MOHMS
  10. OPERATING TEMP: TERMINAL SIDE: -20°C to 85°C  
ROCKER SIDE: -20°C to 55°C
  11. ▲ DENOTES CRITICAL PARAMETER.



| REV | ECO NO     | DESCRIPTION          | DATE     | BY |
|-----|------------|----------------------|----------|----|
| K   | ECO-101663 | UPDATE TOLERANCE     | 02/14/23 | JS |
| J   | ECO-101479 | CORRECT HOUSING SIZE | 01/10/23 | JS |



OBJECT ID  
000016762

TITLE R5ABLKBLKFF0

|           |                |        |             |       |
|-----------|----------------|--------|-------------|-------|
| SCALE 1:1 | DATE 3/15/2011 | DR BMA | DWG M530771 | REV K |
|-----------|----------------|--------|-------------|-------|